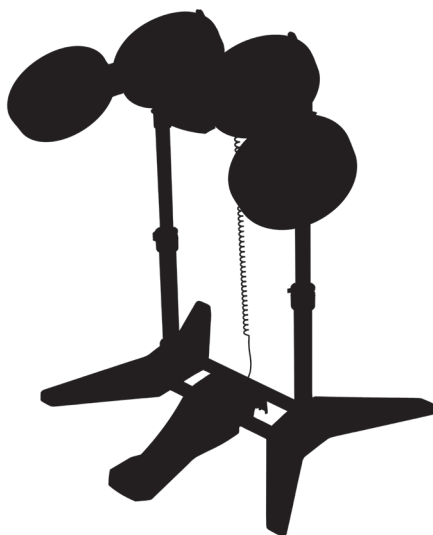


ROCK BAND 2™



FR

Il existe d'importantes consignes de sécurité et des avertissements relatifs à ce produit ainsi que, selon le cas, des informations sur le système de déblocage et/ou sur le positionnement des piles à lire impérativement avant d'utiliser le produit. Vous trouverez le texte complet de ces avertissements dans votre langue sur le site : <http://rockbandservice.ea.com>

DE

Es gibt wichtige Hinweise zur Sicherheit und Handhabung dieses Produkts sowie, sofern zutreffend, Sicherheitsinformationen zum Stolperschutz und/oder zur Entsorgung von Batterien, die du vor dem Gebrauch dieses Produkts lesen solltest. Die gesamten Hinweise in deiner Sprache findest du unter <http://rockbandservice.ea.com>

IT

Ci sono importanti istruzioni sulla sicurezza e avvertimenti in merito a questo prodotto e, quando applicabili, allo smaltimento sicuro delle batterie che dovresti leggere prima di utilizzare il prodotto. Per i testi completi di questi avvertimenti nella tua lingua, visita il sito <http://rockbandservice.ea.com>

ES

Se incluyen instrucciones y precauciones importantes referentes a la seguridad de este producto así como, si procede, al conector de la desconexión de seguridad o a la manera de desechar las pilas que deberías leer antes de usar este producto. Para ver el texto completo de estas precauciones en tu idioma, visita la página web <http://rockbandservice.ea.com>

PT

Este produto inclui instruções e avisos importantes sobre segurança e, se for o caso, a patilha de segurança e/ou como deitar fora as pilhas gastas que deve ler antes de começar a usar este produto. Para obter o texto completo dos avisos no seu idioma, visite o website <http://rockbandservice.ea.com>

NL

Er zijn belangrijke productveiligheidsinstructies en waarschuwingen voor dit product en, waar van toepassing, de inline veiligheidsrendel en/of de verwijdering van batterijen die je moet lezen voordat je gebruik maakt van dit product. Om de volledige tekst met waarschuwingen in je eigen taal te raadplegen, vragen we je de volgende website te bezoeken: <http://rockbandservice.ea.com>

SE

Det finns viktiga produktsäkerhetsinstruktioner och varningar för denna produkt och, där så är tillämpligt, den inbyggda utlösaren, och/eller avfallshantering för batterier som du bör läsa innan du använder denna produkt. Du kan läsa den fullständiga varningstexten på ditt språk genom att besöka webbplatsen <http://rockbandservice.ea.com>

DK

Der er vigtige sikkerhedsinformationer og –advarsler knyttet til dette produkt og, hvis disse følger med, inline-sikkerhedsanordningen og/eller korrekt udsmidning af batterier, som du bør læse før brug af produktet. For at læse disse advarsler i fuld udstrækning på dit sprog skal du besøge websiden <http://rockbandservice.ea.com>

NO

Det finnes viktig informasjon om produktsikkerhet og advarsler for dette produktet, kabelutløseren og/eller avhending av batterier som du må lese før du bruker dette produktet. Du kan finne hele teksten i disse advarslene på ditt språk hvis du går inn på nettstedet <http://rockbandservice.ea.com>

PL

Przed podłączeniem produktu należy zapoznać się z ważnymi instrukcjami i ostrzeżeniami dotyczącymi bezpieczeństwa użytkowania produktu oraz działania wbudowanego zwalniacza bezpieczeństwa i/lub wymiany baterii (w zależności od rodzaju kontrolera). Pełny tekst ostrzeżeń w polskiej wersji językowej znajduje się pod adresem <http://rockbandservice.ea.com>.

CZ

Předtím, než začnete používat tento produkt, byste si měli přečíst důležitá bezpečnostní upozornění a varování a/nebo pokyny ohledně likvidace baterií. Plné znění těchto varování ve vašem jazyce naleznete na stránce <http://rockbandservice.ea.com>.

HU

Erre a termékre fontos biztonsági utasítások vonatkoznak, értelemszerűen az biztonsági kioldómechanizmusról és/vagy az elemektől való megszabadulás módjáról szólóak, amelyeket használat előtt érdemes elolvasni. A figyelmeztetések teljes szövegét az Ön nyelvén meg az alábbi címen találhatja meg: <http://rockbandservice.ea.com>.

FI

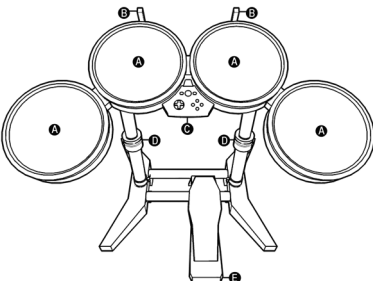
Ennen kuin käytät tuotetta, lue sitä koskevat turvallisuusohjeet ja varoitukset sekä johdon turvasalvan ja/tai paristojen käyttöä ja hävittämistä mahdollisesti koskevat ohjeet. Suomenkieliset ohjeet ja varoitukset voi lukea kokonaisuudessaan osoitteessa <http://rockbandservice.ea.com>

GR


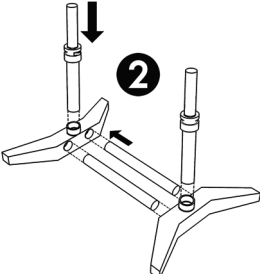
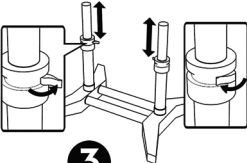
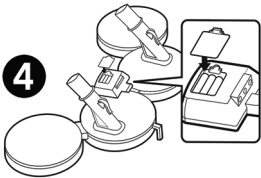
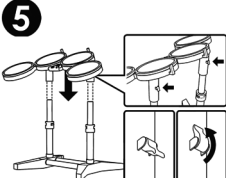
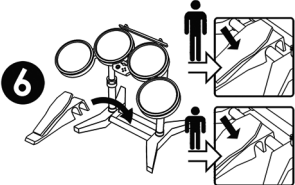
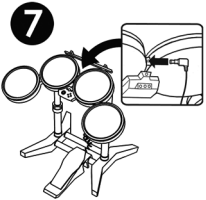
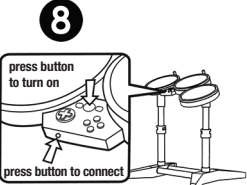
Υπάρχουν σημαντικές οδηγίες ασφάλειας και ειδοποιήσεις για αυτό το προϊόν και, όπου ισχύουν, για το σειριακό κλείστρο ασφάλειας και/ή πληροφορίες για την απόρριψη των μπαταριών που πρέπει να διαβάσετε πριν χρησιμοποιήσετε αυτό το προϊόν. Για να δείτε το πλήρες κείμενο αυτών των οδηγιών στη γλώσσα σας, παρακαλώ επισκεφθείτε την ιστοσελίδα <http://rockbandservice.ea.com>

DRUM KIT

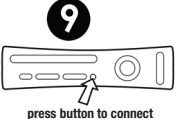
assembly instructions for Xbox 360®



- A** Drum Pads
- B** Drum Stick Holder
- C** Xbox Controller
- D** Adjustable Clamp
- E** Foot Pedal

- 
- 
- 
- 
- 
- 
- 
- 

press button to turn on

press button to connect
- 

press button to connect

Rock Band™ Drum Kit

IMPORTANT! Before using the Xbox 360® with this product, read the Xbox 360 instruction manual for safety, health, and other information regarding the use of the Xbox 360.

CAUTION! Please comply with ALL safety warnings and instructions. Changes or modifications to this Rock Band Drum Kit ("controller" or "device") that are not expressly approved by the manufacturer could void the user's authority to operate this controller and will void all warranties.

- **WARNING** NO CHILD UNDER 36 MONTHS OF AGE SHOULD USE OR PLAY WITH THIS DEVICE AND YOU SHOULD KEEP IT OUT OF REACH OF VERY YOUNG CHILDREN. This Device is suitable and intended for adults and children who are at least 12 years of age. Children who are permitted to use this Rock Band Controller should ALWAYS be supervised by an adult when using it.
- **CAUTION** - Please make sure players using this Rock Band Controller have enough space to avoid others being hit with the Controller or by other players. This Rock Band Controller must be used with care to avoid injury. Neither EA nor MTV Games will be held liable for injuries resulting from improper use of this Rock Band Controller.
- **WARNING** - Device is to be used only with adult supervision, where sufficient space is available to prevent injury or damage. There is a potential risk of epileptic attacks that may be caused by video games.

Important Information About Safety & Proper Care

- Do not modify, disassemble or attempt to open the controller.
- Do not expose the controller to extreme conditions, including direct sunlight and excessive humidity.
- Do not expose the controller to liquids.
- If cleaning is necessary, use a dry cloth to clean the affected area. Never use chemicals.

If the controller does cause harmful interference to radio or television reception, (you can determine this by turning the controller off and on), the user is encouraged to try to correct the interference by one or more of the following measures:

- Reorient or relocate the controller's receiving antenna, if applicable.
- Increase the separation between the controller and the game console.
- Contact Electronic Arts at <http://rockbandservice.ea.com>.

EU Declaration of Conformity: This device has been tested and conforms to the requirements of the European Union Directives 1999/5/EC and 2004/108/EC. Authorized signatory of the manufacturer is Harmonix Music Systems, Inc., 625 Massachusetts Ave., Cambridge, Massachusetts 02139.

United States and Canada: This class B digital device (the Rock Band Game Controller) has been tested by Harmonix Music Systems, Inc., 625 Massachusetts Ave., Cambridge, Massachusetts 02139, 1-617-491-6144, and found to comply with part 15 of the FCC rules and the Canadian RSS-210 which sets forth limits designed to provide reasonable protection against harmful interference in a residential installation. This device uses, generates and can radiate radio frequency energy and if not installed and used in accordance with the instructions, may cause harmful interference to radio communications; however, there is no guarantee that interference will not occur in any particular location or use. Operation is subject to the following two conditions: (1) This device may not cause harmful interference and (2) this device must accept any interference received, including interference that may cause undesired operation.

Exposure to Radio Frequency Radiation

The radiated output power of the controller is well within FCC radio frequency exposure limits for this type of device when unaltered and used as described in our instructions and the controller operates within guidelines found in radio frequency safety standards, which reflect the consensus of the scientific community and therefore, the manufacturer believes the device's internal wireless radio is safe for use by consumers. The level of energy emitted is far less than the electromagnetic energy emitted by wireless devices such as mobile phones. However, the use of wireless radios may be restricted in some situations (e.g., on airplanes). If you are unsure of restrictions that may apply in any situation, you must ask for authorization before turning on, connecting or using the controller.



Consumers have a role to play in recycling. Do not dispose of waste electrical/electronic equipment, including batteries, as municipal waste. Collect these separately and dispose of them properly. If you are not sure how to properly dispose of or recycle any of these items, you may contact Electronic Arts at <http://rockbandservice.ea.com> or contact your local government officials for information in your area.

There is a waste bin symbol with a strike mark through it on the package which indicates you should not dispose of these items with routine waste, rather you should handle their disposal or recycling separately and properly.

There have been some studies which are considered by some to raise questions about the potential health effects of electrical and electronic equipment and some of the hazardous substances they may contain. Always consult your own health care professionals who can advise you regarding your own health care needs in relation to use of the controller.

Limited Device (Peripheral) Hardware Warranty

Electronic Arts and its licensors warrant to the original purchaser of any Rock Band hardware device, including a guitar, a drum, or a microphone, (the "Peripheral") that the Peripheral has been designed and manufactured according to very stringent quality standards and is covered under a warranty that the Peripheral is free from defects in materials and workmanship from date of delivery, which is the minimum warranty period legally required where you, the original purchaser reside, for products of the type as the Peripheral, but not less than 60 days. If you are a resident of a Member of the European Union the minimum warranty period applicable to this product from Electronic Arts and its licensors is two years. Under the warranty, if and as applicable to you, if the Peripheral is found to be defective and you return it to us within the warranty period that applies to you, Electronic Arts will repair or replace the defective Peripheral (or any defective component within the Peripheral), at no charge to you. Other statutory rights you may have remain unaffected. This warranty is applicable to the original purchaser for the normal intended use in accordance with the instructions provided. Any damage or defect resulting from abuse, improper use, neglect, accident, modification or misuse of the Peripheral is not covered under and shall void the terms of this warranty. For more information please contact Electronic Arts at <http://rockbandservice.ea.com>.

If you are a resident of Australia or New Zealand, excluded from this warranty are all other terms and conditions and agreements, all conditions, warranties and terms implied by statute, general law or custom of trade or usage, except any Non-excludable Condition. Except for liability required by law or regulation in respect of any Non-excludable Condition, our liability to you for any act or omission, whether arising in contract or tort, including negligence, or otherwise in connection with the Device or our agreement is hereby disclaimed and excluded. For these purposes, "Non-excludable Condition" means any implied warranty, condition or guarantee the exclusion of which would contravene, in the case of Australian consumers, the Australian Trade Practices Act 1974 ("TPA") or, in the case of consumer in New Zealand, the New Zealand Consumer Guarantees Act 1993 ("CGA") or in either case, that would cause all or any part of any exclusion or limitation of liability or remedy to be void. For any breach of a Non-excludable Condition (other than one implied by Section 69 of the TPA in Australia), your remedies are limited, and at our option, our liability is limited to either resupplying, replacing or repairing the Device (or, at our option, paying the cost of doing any of these).

Although you may have certain rights as a consumer with respect to the merchant or retail establishment where you purchased this Peripheral, these exclusions and restrictions, nor these terms and conditions, affect or change the rights you may have under the laws that apply to your purchase or transactions with such merchants or retail establishments.

For service under the warranty provided by Electronic Arts and its licensors, as described above, please **DO NOT** return any Rock Band Peripheral (including guitars, drums, and microphones) to retail stores, even if that is where you originally purchased the Peripheral. Retailers are **NOT** part of our authorized Peripheral warranty support program. In the unlikely event that you encounter a problem with Rock Band or any of its Peripherals, please visit <http://rockbandservice.ea.com>. This website contains detailed instructions on how to take advantage of our warranty support program.

You understand your rights as a consumer may vary depending on where you live and some or all of your rights may be different or may not apply to you, depending on where you reside and the local laws and regulations that apply. If you are not sure or have any questions about your rights, you should consult your own advisors to determine the laws and regulations that apply to you.

Disclaimer of Other Warranties/Remedies

If the Peripheral was damaged through modification, abuse, improper use, mistreatment, neglect or accident, any applicable warranty is rendered void and you will need to follow the instructions that apply for returns after the warranty period.

EXCEPT FOR THE EXPRESS LIMITED WARRANTIES SET FORTH ABOVE AND/OR TO THE EXTENT ANY PARTICULAR WARRANTIES OR RIGHTS MAY NOT BE DISCLAIMED OR LIMITED DUE TO THE LAWS AND REGULATIONS WHERE YOU RESIDE, ELECTRONIC ARTS AND ITS LICENSORS HEREBY DISCLAIM ALL WARRANTIES, WHETHER ORAL OR WRITTEN, EXPRESS OR IMPLIED, INCLUDING ANY WARRANTY OF MERCHANTABILITY OR FITNESS FOR A PARTICULAR PURPOSE AND NO OTHER REPRESENTATION OR WARRANTY OF ANY NATURE OR KIND SHALL APPLY OR SHALL BE BINDING UPON OR OBLIGATE ELECTRONIC ARTS OR ITS LICENSORS.

If any such warranties are incapable of being disclaimed because of the particular laws that apply to you, then such warranties applicable to this Peripheral are limited to the warranty period described above that applies to you. In no event will Electronic Arts or its licensors be liable for any special, incidental, or consequential damages resulting from possession, use or malfunction of Rock Band, any Peripheral or other product, including damage to property, and to the extent permitted by law, damages for personal injury, even if Electronic Arts or its licensors have been advised of the possibility of such damages.

SOME JURISDICTIONS DO NOT ALLOW CERTAIN LIMITATIONS OR EXCLUSIONS, SO THE ABOVE LIMITATIONS AND/OR EXCLUSIONS MAY NOT APPLY TO YOU. IN EACH AND EVERY SUCH JURISDICTION, ELECTRONIC ARTS' AND/OR ITS LICENSORS' LIABILITY SHALL BE LIMITED AND THE EXCLUSIONS CONSTRUED TO APPLY TO THE FULLEST EXTENT PERMITTED BY LAW.

Electronic Arts' Contact Information

<http://rockbandservice.ea.com>

© 2008 Harmonix Music Systems, Inc. All rights reserved. Harmonix, Rock Band and all related titles and logos are trademarks of Harmonix Music Systems, Inc., a division of MTV Networks. Rock Band developed by Harmonix Music Systems, Inc. EA and the EA logo are trademarks or registered trademarks of Electronic Arts Inc. in the U.S. and/or other countries. This product is manufactured under license from Microsoft Corporation. Microsoft, Xbox, Xbox 360, Xbox LIVE and the Xbox logos are trademarks of the Microsoft group of companies and are used under license from Microsoft.

This product contains copyrighted material owned and/or distributed under authority by Quazal Technologies, Inc.
© 1998-2007, QUAZAL Technologies Inc. All Rights Reserved

Facial Animation software provided by FaceFX. © 2002-2006, OC3 Entertainment, Inc. and its licensors. All rights reserved.

Voiceln™ Game Solutions SDK



Uses Bink Video. Copyright © 1997-2007 by RAD Game Tools, Inc.

Developed by Harmonix Music Systems

Protected by US Patent numbers 6,429,863 6,482,087 and 7,164,076



© Sailor Jerry artwork and designs © 1999-2007 Sailor Jerry Ltd. All rights reserved. 'Sailor Jerry' and all related marks and logos are trademarks of Sailor Jerry Ltd.

Fonts provided by Jukebox, House Industries, Elsner & Flake, Monotype, and Underware

Fakir is a trademark of Underware (Groenewegje 136, 2515 LR Den Haag, the Netherlands, www.underware.nl) and may be registered in certain jurisdictions.

Protected by one or more of United States Patent Nos. 6,429,863, 6,482,087, 7,320,643 and European Patent No. 1257996.
Other US and foreign patents pending.

Peripherals manufactured by:
Harmonix Music Systems, Inc.
625 Massachusetts Avenue
Cambridge, Massachusetts 02139
United States of America

Peripherals imported by:
(in North America)
Electronic Arts, Inc.
209 Redwood Shores Parkway
Redwood City, California 94065
United States of America

(in other territories)
EA Swiss sarl
Place du Molard 8
1204 Geneva
Switzerland

IMPORTANT BATTERY INFORMATION FOR WIRELESS CONTROLLERS

- Use only fresh AA standard alkaline batteries.
- Replace all used batteries at the same time and with the same type of batteries.
- Be sure to insert batteries correctly by matching the + and - as shown in the instruction manual and in the controller's battery compartment. Never insert batteries backwards.
- If you know that you may not be using the controller for an extended period of time, we recommend that you remove the batteries.
- Non-rechargeable batteries are not to be recharged.
- Adult supervision is required when charging rechargeable batteries.
- Do not mix old and new or different types of batteries.
- Do not mix alkaline, standards (carbon-zinc), or rechargeable (nickel-cadmium) batteries.
- Remove exhausted batteries from the toy.
- Supply terminals are not to be short circuited.

STORE AND DISPOSE OF BATTERIES PROPERLY

- Batteries may explode or leak, and cause burn injury, if recharged, disposed of in fire, mixed with a different battery type, inserted backwards or disassembled.
- Never store, put or throw batteries into a flame or in a heated place.
- Do not carry batteries loose in your pocket or purse.
- Do not remove the battery label.
- Standard alkaline batteries generally do not pose a health or environmental risk when used, stored and disposed of normally and, subject to any local laws, in most cases can be disposed of with normal household waste and garbage.
- You should check with local codes, contact the proper government authorities or look under the Government listings of your local area directory to see if there are any special battery disposal instructions or requirements that apply where you live. For rechargeable or other types of batteries, the manufacturer should provide proper disposal instructions and you should always read and follow the manufacturer's directions to avoid injury and damage and to comply with the laws and regulations protecting health, safety and the environment.

IMPORTANT Safety Information Regarding the Inline Cable Release

- **CAUTION** This Rock Band Game Controller comes equipped with an inline cable release as part of the controller's connection to the Xbox 360. This is a safety feature designed to reduce the chance of damage to your controller or Xbox 360. If the Xbox 360 is pulled or falls, this could cause serious injury to persons nearby and/or damage to the Xbox 360 or the controller. To reduce the risk of injury or of damage to the Xbox 360 or your controller, it is important to use the controller and the inline release properly. The inline release is intended to disconnect when the cable is pulled or is subject to rapid movement. Always use the Xbox 360 connector, not the inline release, to routinely connect or disconnect the controller from the Xbox 360. If the inline release disconnects, simply reconnect it by aligning the grooved indentations and pushing the two parts together. The inline release will reduce, but not eliminate, the risk of damage to your controller or your Xbox 360 and the risk of potentially causing injury to persons nearby.
- **WARNING** The Rock Band Game Controller will not work unless the inline release is connected properly. Never tape, glue or otherwise prevent the inline release from pulling apart or operating as intended since this can cause serious injury to persons nearby or damage to the Xbox 360 or controller. It will also invalidate and void your warranty.

INSTRUCTIONS D DE LA BATTERIE E MONTAGE

pour la console de jeu et de loisirs Xbox 360

A Kit batterie
B Porte-baguettes
C Manette Xbox 360
D Vis ajustables
E Pédale

1

2

3

4

5

6

7

8

appuyez sur le bouton pour allumer la console

appuyez sur le bouton pour connecter

9

appuyez sur le bouton pour connecter

Batterie Rock Band™

IMPORTANT ! Avant d'utiliser la Xbox 360 avec ce jeu, veuillez lire le manuel d'utilisation Xbox 360 pour obtenir toutes les informations importantes relatives à la santé et à la sécurité pour l'utilisation de la Xbox 360.

ATTENTION ! Veuillez vous conformer à TOUS les avertissements et instructions de sécurité. Les changements et modifications apportés à la Batterie Rock Band (ci-après dénommée la "manette" ou l'"appareil") n'ayant pas été expressément approuvés par le fabricant peuvent entraîner l'interdiction pour l'utilisateur de se servir de cette manette et la nullité de toutes les garanties.

- **AVERTISSEMENT** Cet appareil convient aux adultes et aux enfants âgés de 12 ans et plus. Cet appareil ne convient pas aux enfants de moins de 36 mois. Ne le laissez pas à la portée des jeunes enfants. L'utilisation de cette manette Rock Band par un enfant doit TOUJOURS être confiée à la surveillance d'un adulte.
- **ATTENTION !** Veuillez vous assurer que les joueurs utilisant la manette Rock Band ont suffisamment d'espace pour éviter les chocs entre les manettes ou entre les joueurs. Cette manette Rock Band doit être utilisée avec précaution pour éviter de se blesser. EA et MTV Games ne peuvent être tenus pour responsables des blessures résultant d'une mauvaise utilisation de cette manette Rock Band.
- **AVERTISSEMENT** Cet appareil doit être utilisé sous la surveillance d'un adulte, dans un endroit suffisamment spacieux pour éviter les risques de blessures ou de dommages. Certaines personnes sont susceptibles de faire des crises d'épilepsie lors de l'utilisation de jeux vidéo.

Informations importantes concernant l'utilisation et la sécurité

- Ne pas modifier, désassembler ou tenter d'ouvrir la manette.
- Ne pas exposer la manette à des conditions extrêmes, y compris la lumière du soleil et une humidité excessive.
- Ne pas exposer la manette à l'eau ou à d'autres liquides.
- Si vous devez nettoyer la batterie, utilisez un ligne sec. N'utilisez jamais de produits chimiques.

Si la manette provoque des interférences nuisibles avec la réception de votre téléviseur ou de votre radio (vous pouvez vous en assurer en éteignant et en rallumant votre manette), tentez de corriger ces interférences en suivant une ou plusieurs des indications suivantes :

- Réorienter ou déplacer l'antenne de réception de la manette, le cas échéant.
- Eloigner la manette de la console de jeu.
- Contacter Electronic Arts sur le site <http://rockbandservice.ea.com>.

Déclaration de conformité UE : cet appareil a été testé et est conforme aux exigences des directives de l'Union Européenne 1999/5/EC et 2004/108/EC. Signataire autorisé par le fabricant : Harmonix Music Systems, Inc., 625 Massachusetts Ave., Cambridge, Massachusetts 02139.

Etats-Unis et Canada : cet appareil numérique de classe B (manette Rock Band) a été testé par Harmonix Music Systems, Inc., 625 Massachusetts Ave., Cambridge, Massachusetts 02139, 1-617-491-6144, et est conforme à l'article 15 des règles de la FCC et à la norme RSS-210 du Canada exposant les limites conçues pour fournir une protection raisonnable contre les risques d'interférences nuisibles avec les installations domestiques. Cet appareil utilise, génère et peut émettre des fréquences radio s'il n'est pas installé et utilisé conformément aux instructions, ce qui peut causer des interférences nuisibles avec les communications radio. Cependant, il n'existe aucune garantie que des interférences ne surviendront pas dans un endroit particulier ou pour une utilisation particulière. Le fonctionnement est soumis aux deux conditions suivantes : (1) cet appareil ne doit pas causer d'interférences nuisibles et (2) cet appareil doit accepter toutes les interférences reçues, y compris les interférences pouvant causer des opérations indésirables.

Exposition aux émissions de fréquences radio

La puissance des radiations émises par la manette se trouve dans les limites d'expositions aux fréquences radio imposées par la FCC, lorsque l'appareil n'est pas altéré et qu'il est utilisé conformément aux instructions. De plus, la manette fonctionne selon les directives concernant les normes de sécurité sur les fréquences radio selon la communauté scientifique. Le fabricant pense donc raisonnablement que les ondes sans fil de l'appareil sont sans danger pour les consommateurs. Le niveau d'énergie émis est bien moins important que l'énergie électromagnétique émise par des appareils sans fil comme les téléphones portables. Cependant, l'utilisation d'ondes sans fil peut être restreinte dans certaines situations (dans les avions, par exemple). Si vous ne connaissez pas les restrictions qui peuvent s'appliquer dans certaines situations, demandez l'autorisation avant d'allumer, connecter ou utiliser la manette.



Les consommateurs ont un rôle important dans le recyclage. Ne pas se débarrasser des équipements électriques/électroniques, y compris les piles, comme des déchets classiques, mais les collecter et les jeter séparément. Pour savoir comment se débarrasser d'un de ces objets ou le recycler correctement, contactez Electronic Arts sur le site <http://rockbandservice.ea.com> ou contactez votre mairie pour obtenir des informations pour votre ville.

Le symbole représentant une poubelle barrée sur l'emballage indique que vous ne devez pas vous débarrasser de ces objets comme de simples déchets domestiques. Traitez et recyclez ces matériaux séparément.

Certaines études soulèvent des interrogations sur les risques sanitaires possibles que représente l'utilisation d'appareils électriques et électroniques et des substances dangereuses qu'ils peuvent contenir. Veuillez consulter votre médecin pour obtenir des conseils sur votre santé.

Limitation de garantie du matériel de l'appareil (Périphérique)

Electronic Arts et ses concédants de licence garantissent à l'acquéreur original de tout appareil Rock Band, comprenant une guitare, une batterie ou un microphone (ci-après désigné le "Périphérique"), que le Périphérique a été conçu et fabriqué conformément à des normes de qualité extrêmement rigoureuses et est garanti exempt de tout défaut de matériel ou de fabrication à partir de la date de livraison, pendant la période de garantie légale minimum requise dans le pays où réside l'acquéreur original pour ce type de produits, ne pouvant pas être inférieure à 60 jours. Si vous résidez dans l'un des pays membres de l'Union Européenne, la période de garantie minimum par Electronic Arts et ses concédants de licence s'appliquant à ce produit est de deux ans. Le cas échéant, si le Périphérique se révèle défectueux et que vous nous le retournez pendant la période de garantie qui s'applique à votre pays, Electronic Arts réparera ou remplacera le Périphérique défectueux (ou tout composant défectueux dans le Périphérique), sans frais pour le consommateur. La garantie ne remet pas en cause vos droits prévus par la loi. Cette garantie est valable pour l'acquéreur original, dans le cadre de l'utilisation prévue par les instructions fournies. Tout dommage ou défaut résultant d'une mauvaise utilisation, de négligence, d'un accident, de la modification ou d'un abus du Périphérique n'est pas couvert et annule les termes de la présente garantie. Pour plus d'informations, veuillez contacter Electronic Arts sur le site <http://rockbandservice.ea.com>.

Si vous résidez en Australie ou en Nouvelle-Zélande, sont exclues de la garantie toutes les autres conditions, garanties et termes implicites de caractère propre à la commercialisation, d'adéquation à un usage particulier ou de non infraction, à l'exception de toute condition non exclusive. Excepté la responsabilité requise par la loi ou la réglementation en respect de toute condition non exclusive, notre responsabilité envers le consommateur pour tout acte ou omission, que ce soit dans le cadre du contrat ou d'un délit, incluant la négligence ou autre, en connexion avec l'appareil ou avec notre accord est rejetée et exclue par la présente. A cet effet, la "condition non exclusive" comprend toute garantie implicite, condition ou garantie dont l'exclusion viendrait à l'encontre, dans le cas des consommateurs australiens, du Trade Practices Act australien de 1974 ("TPA") ou, dans le cas des consommateurs néo-zélandais, du Consumer Guarantees Act néo-zélandais de 1993 ("CGA") ou dans les deux cas, qui causerait la nullité de tout ou partie de quelque exclusion ou limitation que ce soit des engagements ou recours. Pour toute rupture d'une condition non exclusive (autre que celle impliquée par la section 69 du TPA en Australie), vos recours sont limités et notre engagement se limite, à notre discrétion, à fournir, remplacer ou réparer l'appareil (ou à payer, à notre discrétion, le coût de ces actions).

Même si vous avez certains droits en tant que consommateur par rapport au marchand ou au magasin auquel vous avez acheté le Périphérique, ni ces exclusions et restrictions, ni ces conditions générales de ventes, n'affectent ou ne modifient vos droits selon les lois qui s'appliquent dans le cadre d'un achat ou d'une transaction avec ce marchand ou ce magasin.

Pour toute intervention dans le cadre de la garantie fournie par Electronic Arts et ses concédants, comme décrit ci-dessus, veuillez **NE PAS** retourner de Périphérique Rock Band (incluant les guitares, batteries et micros) à un revendeur, même si c'est à lui que vous avez acheté le Périphérique. Les revendeurs ne font **PAS** partie de notre programme de support de garantie de Périphérique. Dans le cas où vous rencontreriez des problèmes avec Rock Band ou l'un de ses Périphériques, rendez-vous sur le site <http://rockbandservice.ea.com>. Ce site web contient des instructions détaillées sur les avantages de notre programme de support de garantie.

En tant que consommateur, vous comprenez que vos droits puissent varier en fonction de votre pays de résidence et que certains ou tous vos droits peuvent être différents ou ne pas s'appliquer, en fonction du lieu où vous résidez et des lois et réglementations qui s'y appliquent. Pour toute information ou question sur vos droits, consultez vos propres représentants légaux pour déterminer les lois et réglementations qui s'appliquent à vous.

Exclusion des autres garanties et recours

Si le Périphérique est endommagé suite à une modification, un abus, un mauvais usage, une négligence ou un accident, la garantie applicable deviendra nulle et vous devrez suivre les instructions qui s'appliquent pour les retours sortant du cadre de la garantie.

A L'EXCEPTION DES LIMITATIONS DE GARANTIES EXPRESSEMENT INDIQUEES ET/OU DANS LE CADRE DE TOUT DROIT OU GARANTIE PARTICULIER NE POUVANT ETRE REJETE OU LIMITE SELON LES LOIS ET REGLEMENTATIONS DE VOTRE LIEU DE RESIDENCE, ELECTRONIC ARTS ET SES CONCEDANTS REJETENT PAR LA PRESENTE TOUTES GARANTIES, ORALES OU ECRITES, EXPLICITES OU TACITES, Y COMPRIS CELLES DE QUALITE MARCHANDE, D'ADAPTATION A UN USAGE PARTICULIER ET AUCUNE AUTRE REPRESENTATION OU GARANTIE DE QUELQUE NATURE QUE CE SOIT NE PEUT S'APPLIQUER A, CONTRAINDRE OU OBLIGER ELECTRONIC ARTS ET SES CONCEDANTS.

Si l'une de ces garanties ne peut être rejetée en raison des lois particulières qui s'appliquent au consommateur, alors les garanties qui s'appliquent au Périphérique se limitent à la période de garantie décrite ci-dessus s'appliquant au consommateur. En aucun cas, Electronic Arts ou ses concédants ne peuvent être tenus responsables de dommages spéciaux, consécutifs ou indirects résultant de la possession, de l'utilisation ou du mauvais fonctionnement de Rock Band, de tout Périphérique ou autre produit, y compris les dégâts matériels, et dans la mesure où la loi le permet, les dommages corporels, même si Electronic Arts et ses concédants ont été avertis de la possibilité de tels dommages.

IL SE PEUT QUE LA LEGISLATION EN VIGUEUR INTERDISE L'EXCLUSION OU LA LIMITATION DES GARANTIES. DE CE FAIT, VOUS POUVEZ NE PAS TOMBER SOUS LE COUP DE CES EXCLUSIONS OU LIMITATIONS. DANS CHACUNE DE CES JURIDICTIONS, LA RESPONSABILITE D'ELECTRONIC ARTS ET/OU SES CONCEDANTS EST LIMITEE ET LES EXCLUSIONS INTERPRETEES POUR S'APPLIQUER DANS LA MESURE OU LA LOI LE PERMET.

Contact information d'Electronic Arts

<http://rockbandservice.ea.com>

© 2008 Harmonix Music Systems, Inc. Tous droits réservés. Harmonix, Rock Band et tous les titres et logos qui y sont associés sont des marques commerciales de Harmonix Music Systems, Inc., une division de MTV Networks. Rock Band est développé par Harmonix Music Systems, Inc. EA et le logo EA sont des marques commerciales ou déposées d'Electronic Arts Inc. aux Etats-Unis et/ou dans d'autres pays. Ce produit est fabriqué sous licence de Microsoft Corporation. Microsoft, Xbox, Xbox 360, Xbox LIVE et

les logos Xbox sont des marques commerciales du groupe d'entreprises Microsoft et sont utilisés sous licence de Microsoft. Ce produit contient des éléments sous copyright, propriété de ou distribué sous licence par Quazal Technologies, Inc. © 1998-2007, QUAZAL Technologies Inc. Tous droits réservés. Logiciel d'animation de visage Facial Animation fourni par FaceFX. © 2002-2006, OC3 Entertainment, Inc. et ses bailleurs de licence. Tous droits réservés.

Voiceln™ Game Solutions SDK



Ce logiciel utilise Bink Video. Copyright © 1997-2007 RAD Game Tools, Inc.

Développé par Harmonix Music Systems. Sous la protection des brevets des Etats-Unis numéro 6,429,863 6,482,087 et 7,164,076

® dessins et concepts de Sailor Jerry © 1999-2007 Sailor Jerry Ltd. Tous droits réservés. "Sailor Jerry" et toutes les marques et logos associés sont des marques commerciales de Sailor Jerry Ltd.

Polices de caractères fournies par Jukebox, House Industries, Elsner & Flake, Monotype et Underware. Fakir est une marque commerciale de Underware Underware (Groenewegje 136, 2515 LR Den Haag, the Netherlands, www.underware.nl) (site web en anglais) et peut être une marque déposée dans certaines juridictions. Sous la protection d'un ou plusieurs brevets des Etats-Unis Nos. 6,429,863, 6,482,087, 7,320,643 et du brevet européen No. 1257996. Autres brevets étrangers et pour les Etats-Unis en attente.

Périphériques fabriqués par :

Harmonix Music Systems, Inc.
625 Massachusetts Avenue
Cambridge, Massachusetts 02139
Etats-Unis d'Amérique

Périphériques importés par :

(En Amérique du Nord)
Electronic Arts, Inc.
209 Redwood Shores Parkway
Redwood City, California 94065
United States of America

(dans les autres territoires)

EA Swiss sarl
Place du Molard 8
1204 Genève
Suisse

INFORMATIONS IMPORTANTES SUR LES PILES DES MANETTES SANS FIL

- Utilisez uniquement des piles alcalines AA classiques.
- Remplacez toutes les piles en même temps et ne mélangez pas les types de piles.
- Les bornes positives (+) et négatives (-) de vos piles doivent être orientées dans la bonne direction, comme indiqué dans le manuel d'utilisation et dans le compartiment à piles de la manette. Ne placez jamais les piles à l'envers.
- Ne laissez pas les piles dans la manette pendant une période d'inutilisation prolongée.
- N'essayez pas de recharger des piles non rechargeables.
- La présence d'un adulte est nécessaire lors du chargement de piles rechargeables.
- Ne mélangez pas les piles usagées avec les piles neuves ou avec d'autres types de piles.
- Ne mélangez pas les piles alcalines, standard (zinc-carbone) et rechargeables (nickel-cadmium).
- Retirez les piles usagées du produit.
- Ne court-circuitez pas les bornes d'alimentation.

CONSERVER ET JETER CORRECTEMENT SES PILES

- Les piles peuvent exploser ou fuir et causer des brûlures, si elles sont rechargées, jetées dans le feu, mélangées à un autre type de piles, insérées à l'envers et démontées.
- Ne conservez jamais vos piles près d'une flamme ou d'une source de chaleur. Ne jetez jamais vos piles dans le feu.
- Ne transportez pas vos piles dans une poche ou un porte-monnaie.
- N'enlevez pas l'étiquette de la pile.
- Les piles alcalines classiques ne sont généralement pas un risque pour la santé ou pour l'environnement lorsqu'elles sont utilisées, conservées et jetées correctement. Sauf réglementation contraire dans votre pays, les piles peuvent être jetées avec les déchets ménagers classiques.
- Vérifiez les réglementations locales ou contactez les autorités gouvernementales appropriées pour connaître les instructions spécifiques concernant le recyclage des piles dans votre lieu de résidence. Pour les piles rechargeables et les autres types de piles, le fabricant doit fournir des instructions de recyclage correcte. Lisez et suivez les indications du fabricant pour éviter les blessures et dommages et pour être en conformité avec les lois et réglementations régissant la santé, la sécurité et l'environnement.

Informations de sécurité importantes concernant le dispositif de sécurité du câble

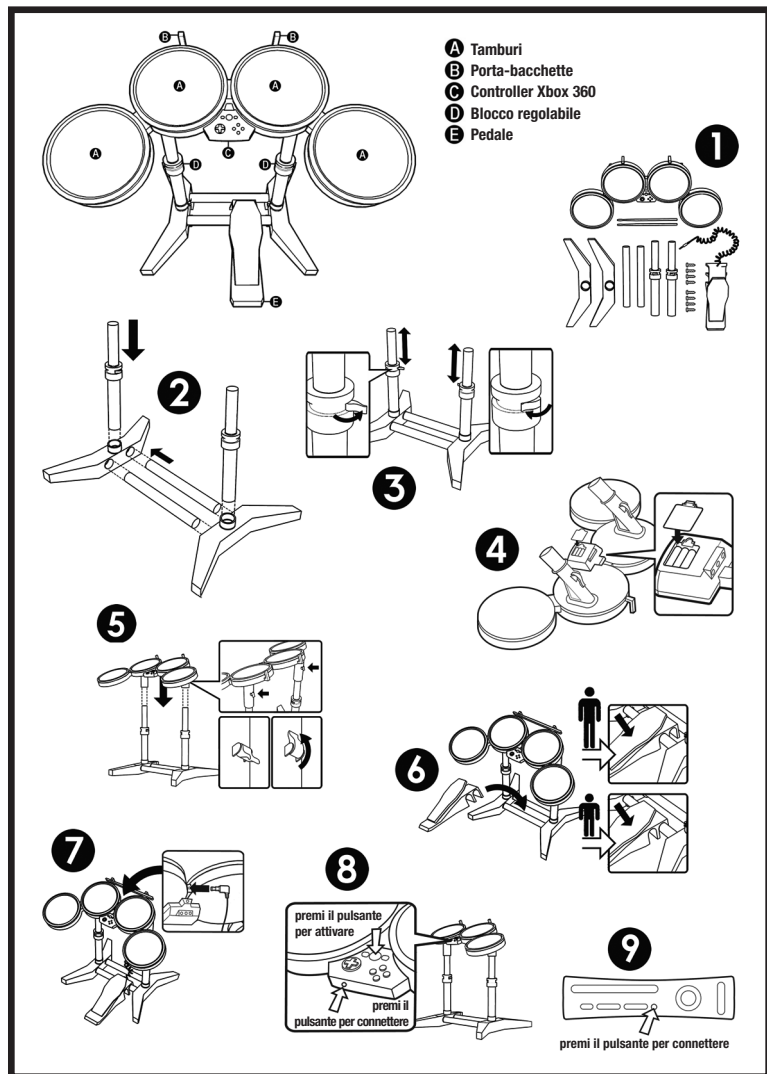
- **ATTENTION !** Cette manette Rock Band est fournie avec un dispositif de sécurité du câble entre la manette et la console Xbox 360. Ce dispositif de sécurité est conçu pour éviter d'abîmer la manette ou la console Xbox 360. Si la console est tirée et tombe, elle peut entraîner de graves blessures aux personnes proches et/ou endommager la console Xbox 360 ou la manette. Pour éviter les risques de blessures et de dommages sur la console ou la manette, veillez à utiliser correctement la manette et le dispositif de sécurité du câble. Le dispositif de sécurité est prévu pour se débrancher lorsque le câble est tiré brutalement ou sujet à un mouvement rapide. Tenez le connecteur Xbox 360 et non le dispositif de sécurité du câble pour brancher et débrancher la manette de la console. Si un dispositif de sécurité du câble se débranche, rebranchez-le simplement en alignant les rainures et en enfonceant bien les deux parties l'une contre l'autre. Le dispositif de sécurité du câble limite les risques de dommages de la console ou de la manette et de blessures aux personnes environnantes, mais il ne les élimine pas complètement.
- **AVERTISSEMENT** La manette ne fonctionne pas si le dispositif de sécurité du câble n'est pas bien branché. N'utilisez jamais de ruban adhésif, de colle ou tout autre moyen visant à empêcher les deux parties du dispositif de sécurité du câble de se séparer car cela pourrait entraîner des blessures sérieuses aux personnes proches ou endommager la console Xbox 360 ou la manette. De plus, cela rendrait la garantie nulle et non avenue.

Istruzioni per il montaggio della

BATTERIA

per Xbox 360

ROCKBAND 2



Batteria di Rock Band™

IMPORTANTE! Prima di utilizzare la console Xbox 360 con questo prodotto, leggi i paragrafi sulla tutela della salute e sulla sicurezza del manuale di istruzioni di Xbox 360.

ATTENZIONE! Rispetta TUTTI gli avvertimenti e le istruzioni sulla sicurezza. Le modifiche alla batteria di Rock Band ("controller" o "apparecchio") non espressamente approvate dal produttore potrebbero annullare l'autorizzazione dell'utente a utilizzare questo controller e tutte le relative garanzie.

- **ATTENZIONE** TIENI L'APPARECCHIO LONTANO DALLA PORTATA DI NEONATI E BAMBINI DI ETÀ INFERIORE AI 36 MESI. L'utilizzo di questo apparecchio è indicato per gli adulti e i ragazzi di almeno 12 anni. I bambini che possono usare il controller di Rock Band devono farlo SEMPRE in presenza di un adulto.
- **ATTENZIONE** Assicurati che i giocatori che utilizzano il controller di Rock Band abbiano abbastanza spazio intorno a sé per evitare di colpire altre persone od oggetti. Utilizza il controller di Rock Band con attenzione per evitare incidenti. EA e MTV Games non potranno essere ritenute responsabili di eventuali danni dovuti all'uso improprio del controller di Rock Band.
- **ATTENZIONE** L'apparecchio va utilizzato esclusivamente in presenza di un adulto e in luoghi abbastanza spaziosi per evitare danni e incidenti. Esiste un potenziale rischio di attacchi epilettici che possono insorgere durante l'utilizzo dei videogiochi.

Informazioni importanti sulla sicurezza e sull'utilizzo

- Non modificare, smontare o tentare di aprire il controller.
- Non esporre il controller a condizioni estreme, inclusa la luce diretta del sole e un'eccessiva umidità.
- Evita che il controller venga a contatto con i liquidi.
- Se necessario, pulisci il controller utilizzando un panno asciutto sulla zona interessata. Non usare prodotti chimici.

Se il controller dovesse causare interferenze con la ricezione di radio e televisione (per scoprirlo basta spegnere e riaccendere il controller), prova a seguire questi consigli:

- Se possibile, riorienta o sposta il ricevitore del controller.
- Aumenta la distanza fra il controller e la console di gioco.
- Contatta Electronic Arts all'indirizzo <http://rockbandservice.ea.com>.

Dichiarazione di conformità UE: questo apparecchio è stato testato e dichiarato conforme ai requisiti stabiliti dalle direttive dell'Unione Europea 1999/5/EC e 2004/108/EC. La firma autorizzata del produttore è di Harmonix Music Systems, Inc., 625 Massachusetts Ave., Cambridge, Massachusetts 02139.

Stati Uniti e Canada: questo apparecchio di classe B (il controller di Rock Band) è stato testato da Harmonix Music Systems, Inc., 625 Massachusetts Ave., Cambridge, Massachusetts 02139, 1-617-491-6144, e ritenuto conforme all'articolo 15 del regolamento della FCC (commissione federale delle comunicazioni degli Stati Uniti d'America) e dell'RSS-210 canadese, che stabilisce i limiti per fornire una ragionevole protezione contro le interferenze nocive in una struttura residenziale. Questo apparecchio usa, genera e può trasmettere frequenze radio e, se non installato e utilizzato secondo le istruzioni, può causare interferenze dannose alle comunicazioni radio. Tuttavia, non esiste alcuna garanzia che tali interferenze non possano verificarsi in un luogo o in condizioni particolari. L'utilizzo di questo apparecchio è soggetto alle due seguenti condizioni: (1) l'apparecchio non deve causare interferenze nocive e (2) deve accettare qualsiasi interferenza ricevuta, incluse quelle che potrebbero essere generate da un'operazione imprevista.

Esposizione alle radiazioni delle frequenze radio

Le onde radio trasmesse dal controller rientrano pienamente nei limiti di esposizione alle frequenze radio imposti dalla FCC per questo tipo di apparecchio, quando non viene alterato e utilizzato secondo le nostre istruzioni. Il controller opera nel rispetto delle linee guida stabilite dagli standard per la sicurezza delle radio frequenze, approvati dalla comunità scientifica. Di conseguenza, il produttore ritiene che il dispositivo wireless all'interno dell'apparecchio possa essere usato dai consumatori senza alcun rischio. Il livello di energia emesso è di gran lunga inferiore a quello di energia elettromagnetica trasmesso dai dispositivi wireless, come i telefoni cellulari. Tuttavia, l'uso di segnali wireless potrebbe essere vietato in determinate circostanze (ad esempio sugli aerei). Se non sei sicuro dei divieti che si applicano in una situazione particolare, è necessario chiedere l'autorizzazione prima di accendere, connettere o usare il controller.



I consumatori hanno un ruolo fondamentale nelle operazioni di riciclaggio dei materiali. Non smaltire le apparecchiature elettriche ed elettroniche (incluse le batterie) insieme ai rifiuti normali. Raccogliete e smaltiscite separatamente in modo appropriato. Se non sei sicuro di come smaltire o riciclare questi prodotti, puoi contattare Electronic Arts all'indirizzo <http://rockbandservice.ea.com> o rivolgerti al tuo comune di residenza per maggiori informazioni.

Il simbolo del cestino con una croce sopra riportato sulla confezione indica che questi prodotti non vanno gettati via assieme ai rifiuti normali, ma che vanno smaltiti e riciclati separatamente, seguendo un'apposita procedura. Sono stati condotti diversi studi sui potenziali effetti delle apparecchiature elettriche ed elettroniche e di alcune sostanze nocive in esse contenute sulla salute umana. Per qualsiasi informazione di carattere sanitario legata all'utilizzo di questo controller, rivolgiti sempre a un medico.

Garanzia limitata sugli apparecchi hardware (periferiche)

Electronic Arts e i suoi concessionari di licenza garantiscono all'acquirente originale di qualsiasi apparecchio hardware di Rock Band, inclusa la chitarra, la batteria o il microfono (d'ora in avanti, la "Periferica") che la Periferica è stata progettata e costruita seguendo standard qualitativi rigorosi ed è esente da difetti nei materiali e nella lavorazione a partire dalla data di consegna (il periodo minimo previsto dalla legge del paese di residenza dell'acquirente originale per prodotti assimilabili alla Periferica). Tale periodo non può essere comunque inferiore a 60 giorni. Per i residenti in uno dei paesi membri della Comunità Europea, il periodo di garanzia minimo applicabile a questo prodotto da parte di Electronic Arts e dei suoi concessionari di licenza è di due anni. Se la Periferica dovesse presentare problemi durante il periodo di garanzia, laddove applicabile, Electronic Arts provvederà a riparare o a sostituire la Periferica difettosa (o qualsiasi suo componente difettoso), senza alcuna spesa aggiuntiva. Gli altri eventuali diritti statutari rimangono inalterati. Questa garanzia si applica all'acquirente originale in caso di utilizzo normale della Periferica, secondo quanto riportato nelle istruzioni fornite. Qualsiasi danno o difetto dovuto a trattamento scorretto, utilizzo improprio, negligenza, uso accidentale, modifiche o utilizzo diverso dalla destinazione d'uso della Periferica non è coperto dalla garanzia e ne annullerà la validità. Per maggiori informazioni, contatta Electronic Arts all'indirizzo

<http://rockbandservice.ea.com>

I residenti in Australia o in Nuova Zelanda sono esclusi da questa garanzia, dai termini e dalle condizioni dell'accordo, da tutte le condizioni, le garanzie e i termini impliciti stabiliti dalla legge, da leggi generiche o personali sul commercio o l'utilizzo del prodotto. Fanno eccezione tutte le condizioni non-escludibili. La nostra responsabilità nei tuoi confronti, a parte quella stabilita dalla legge e dalle norme per il rispetto di qualsiasi condizione non-escludibile, per qualsiasi atto od omissione, sia di natura contrattuale o a torto, inclusa la negligenza, o altrimenti legata all'apparecchio o al nostro accordo, viene quindi smentita ed esclusa. A tal proposito, con l'espressione "condizione non-escludibile" si intende ogni garanzia, implicita ed esplicita, o condizione la cui esclusione contravverrebbe, nel caso dei consumatori australiani, l'Australian Trade Practices Act 1974 ("TPA") o, nel caso dei consumatori neozelandesi, il New Zealand Consumer Guarantees Act 1993 ("CGA") o in ogni caso che annullerebbe tutte (o in parte) le esclusioni o le limitazioni di responsabilità o azioni legali. In caso di violazione di una qualsiasi condizione non-escludibile (oltre a quella indicata nella Sezione 69 del TPA in Australia), le azioni legali a tua disposizione sono limitate e la nostra responsabilità si limita (a nostra discrezione) a riformare, sostituire o riparare l'apparecchio (o, sempre a nostra discrezione, a risarcire il costo per ciascuna di queste operazioni).

Anche in presenza di determinati diritti in qualità di consumatore legati al negozio all'ingrosso o al dettaglio dove hai acquistato questa Periferica, queste esclusioni e restrizioni, e non questi termini e condizioni, influiscono o modificano i diritti che potresti avere in base alle leggi che regolano il tuo acquisto o le transazioni con i rivenditori all'ingrosso o al dettaglio di cui sopra.

Per avvalersi del servizio di assistenza di cui sopra, offerto da Electronic Arts e dai suoi concessionari di licenza durante il periodo di garanzia, **NON** restituire le Periferiche di Rock Band (incluse chitarre, batterie e microfoni) ai negozi dove sono state acquistate. I negoziati **NON** fanno parte del nostro programma di assistenza e garanzia autorizzato per le Periferiche. Nell'eventualità che si verificasse un problema con Rock Band o con una delle sue Periferiche, visita il sito <http://rockbandservice.ea.com>. Questo sito contiene le istruzioni dettagliate su come avvalersi del nostro programma di assistenza e garanzia.

Accetti il fatto che i tuoi diritti in qualità di consumatore possono variare o potrebbero non essere applicabili, nella loro interezza o in parte, in base alle leggi e alle norme del tuo paese di residenza. Se hai dubbi o domande sui tuoi diritti, rivolgiti al tuo comune di residenza per conoscere le leggi e le norme applicabili nel tuo caso.

Limitazione di responsabilità per altre garanzie/azioni legali

Se la Periferica viene danneggiata tramite modifica, abuso, uso improprio, maltrattamento, negligenza o uso accidentale, qualsiasi garanzia applicabile sarà considerata nulla e dovrai seguire le istruzioni relative alla sostituzione del prodotto fuori garanzia.

AD ECCEZIONE DELLE GARANZIE LIMITATE DESCRITTE SOPRA E/O NEI LIMITI DI QUALSIASI PARTICOLARE GARANZIA O DIRITTO CHE NON PUÒ ESSERE ESCLUSO O LIMITATO DALLE LEGGI E DALLE NORME VIGENTI NEL TUO PAESE DI RESIDENZA, ELECTRONIC ARTS E I SUOI CONCESSIONARI DI LICENZA ESCLUDONO QUALSIASI TIPO DI GARANZIA, ORALE O SCRITTA, IMPLICITA O ESPLICITA, INCLUSE QUELLE DI COMMERCIALITÀ O IDONEITÀ A UN DATO SCOPO. NESSUN'ALTRA RIMOSTRANZA O GARANZIA DI QUALUNQUE NATURA POTRÀ ESSERE APPLICATA O IMPOSTA A ELECTRONIC ARTS O AI SUOI CONCESSIONARI DI LICENZA.

Qualora una di queste garanzie non possa essere esclusa per via di particolari leggi del tuo paese di residenza, la Periferica sarà coperta da garanzia limitata al periodo descritto in precedenza applicabile al tuo caso. In nessun caso Electronic Arts o i suoi concessionari di licenza potranno essere ritenuti responsabili per qualsiasi danno speciale, accidentale o consequenziale dovuto al possesso, all'uso o al malfunzionamento di Rock Band, di qualsiasi Periferica o di altri prodotti, inclusi danni alle proprietà e, nei limiti previsti dalla legge, lesioni personali, senza considerare se Electronic Arts o i suoi concessionari di licenza siano stati informati o meno della possibilità di tali danni.

ALCUNE GIURISDIZIONI NON PERMETTONO DETERMINATE LIMITAZIONI O ESCLUSIONI, QUINDI LE LIMITAZIONI E/O LE ESCLUSIONI ELENcate SOPRA POTREBBERO NON RIGUARDARE IL TUO CASO. IN TALI GIURISDIZIONI, LA RESPONSABILITÀ DI ELECTRONIC ARTS E/O DEI SUOI CONCESSIONARI DI LICENZA SARÀ LIMITATA E LE ESCLUSIONI INTERPRETATE PER ESSERE APPLICATE NEI LIMITI MASSIMI PREVISTI DALLA LEGGE.

Contatti Electronic Arts

<http://rockbandservice.ea.com>

© 2008 Harmonix Music Systems, Inc. Tutti i diritti riservati. Harmonix, Rock Band e tutti i titoli e logo associati sono marchi di Harmonix Music Systems, Inc., una divisione di MTV Networks. Rock Band, sviluppato da Harmonix Music Systems, Inc. EA e il logo EA sono marchi o marchi registrati di Electronic Arts Inc. negli Stati Uniti e/o negli altri paesi. Prodotto su licenza di Microsoft Corporation. Microsoft, Xbox, Xbox 360, Xbox LIVE e i logo Xbox sono marchi del gruppo di società di Microsoft e sono utilizzati su licenza di Microsoft.

Questo prodotto contiene materiale coperto da copyright di proprietà e/o distribuito su autorizzazione da Quazal Technologies, Inc. © 1998-2007, QUAZAL Technologies Inc. Tutti i diritti riservati.

Il software Facial Animation è fornito da FaceFX. © 2002-2006, OC3 Entertainment, Inc. e i suoi concessionari di licenza. Tutti i diritti riservati.

Voicel™ Game Solutions SDK



Utilizza Bink Video. Copyright © 1997-2007 di RAD Game Tools, Inc.

Sviluppato da Harmonix Music Systems

Tutelato dai brevetti degli Stati Uniti n. 6,429,863 6,482,087 e 7,164,076



© Sailor Jerry artwork and designs © 1999-2007 Sailor Jerry Ltd. Tutti i diritti riservati. 'Sailor Jerry' e tutti i relativi marchi e logo sono di proprietà di Sailor Jerry Ltd.

Caratteri forniti da Jukebox, House Industries, Elsner & Flake, Monotype e Underware

Fakir è un marchio di Underware (Groenewegje 136, 2515 LR Den Haag, Olanda, www.underware.nl) e può essere registrato in certe giurisdizioni.

Tutelato da uno o più brevetti degli Stati Uniti n. 6,429,863, 6,482,087, 7,320,643 e dal brevetto europeo n. 1257996. In attesa dell'applicazione di altri brevetti nazionali o internazionali.

Periferiche prodotte da:

Harmonix Music Systems, Inc.
625 Massachusetts Avenue
Cambridge, Massachusetts 02139
Stati Uniti d'America

Periferiche importate da:

(in Nord America)
Electronic Arts, Inc.
209 Redwood Shores Parkway
Redwood City, California 94065
Stati Uniti d'America

(negli altri territori)
EA Swiss sàrl
Place du Molard 8
1204 Geneva
Svizzera

INFORMAZIONI IMPORTANTI SULLE BATTERIE PER I CONTROLLER WIRELESS

- Utilizza solo batterie stilo AA alcaline standard nuove.
- Sostituisci sempre tutte le batterie usate contemporaneamente con altre dello stesso tipo.
- Assicurati di inserire le batterie nel verso giusto, rispettando i simboli + e -, come mostrato nel manuale di istruzioni e nel vano batterie del controller. Non inserire mai le batterie al contrario.
- Se non utilizzi il controller per un periodo di tempo prolungato, è consigliabile rimuovere le batterie.
- Non ricaricare le batterie non ricaricabili.
- È necessaria la supervisione di un adulto durante l'operazione di ricarica delle batterie.
- Non utilizzare contemporaneamente batterie vecchie e nuove o differenti tipi di batterie.
- Non utilizzare contemporaneamente batterie alcaline, standard (zinco-carbone) e ricaricabili (nicel-cadmio).
- Rimuovere le batterie scariche dall'apparecchio.
- Non manomettere le centraline di distribuzione.

CONSERVARE E SMALTIRE CORRETTAMENTE LE BATTERIE

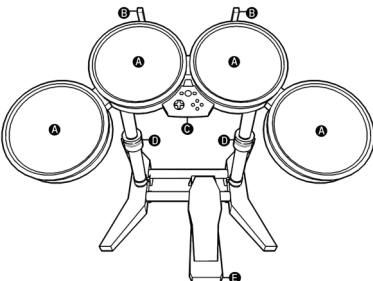
- Le batterie possono esplodere o perdere delle sostanze e causare danni da ustione se ricaricate, infiammate, mischiate con un tipo diverso di batterie, inserite al contrario o aperte.
- Non conservare, posare o lanciare batterie su una fiamma o su un oggetto surriscaldato.
- Non lasciare le batterie sfuse nella tasca o nella borsa.
- Non rimuovere l'etichetta della batteria.
- Le batterie alcaline standard di solito non presentano rischi per la salute o per l'ambiente quando vengono usate, conservate e smaltite correttamente. Nella maggior parte dei casi, a seconda delle leggi locali vigenti, possono essere smaltite insieme ai rifiuti comuni.
- Consulta le leggi locali o contatta il tuo comune di residenza per sapere se esistono norme specifiche per lo smaltimento delle batterie nella zona in cui vivi. Ricorda di leggere e di seguire sempre le indicazioni del produttore per evitare danni o lesioni e di rispettare le leggi e le norme per la tutela della salute, della sicurezza e dell'ambiente.

IMPORTANTE: Informazioni sulla salute riguardo al cavo di rilascio

- **ATTENZIONE** Il controller di gioco di Rock Band viene fornito con un cavo di rilascio come parte della connessione del controller alla console Xbox 360. Si tratta di una funzione di sicurezza progettata per ridurre le probabilità di danneggiare il controller o la console Xbox 360. Se la console Xbox 360 viene tirata o cade, potrebbe danneggiarsi o causare seri danni alle persone vicine e/o al controller. Per ridurre il rischio di danni alle persone, alla console Xbox 360 o al controller, è importante utilizzare il controller e il cavo di rilascio in maniera corretta. Il cavo di rilascio è progettato per scollegarsi quando viene tirato o quando è soggetto a un rapido movimento. Per collegare e scollegare normalmente il controller dalla console Xbox 360 usa sempre il connettore Xbox 360, e non il cavo di rilascio. Se il cavo di rilascio si scollega, ricollegalo allineando gli attacchi nel verso giusto e premendo contemporaneamente le due parti. Il cavo di rilascio ridurrà, ma non eliminerà, il rischio di danneggiare il controller o la console Xbox 360 e di causare potenziali danni alle persone vicine.
- **ATTENZIONE** Il controller di gioco di Rock Band non funzionerà se il cavo di rilascio non sarà collegato correttamente. Non applicare mai del nastro adesivo, della colla o altro materiale per impedire al cavo di rilascio di scollegarsi o di operare nel modo per il quale è stato progettato, dato che ciò potrebbe causare gravi danni alle persone vicine, alla console Xbox 360 o al controller. Inoltre, così facendo invaliderai la garanzia.


SCHLAGZEUG

Aufbauanleitung für deine Xbox 360 Konsole

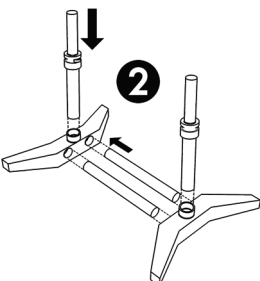


A Drum Pads
B Drum Stick-Halter
C Xbox 360 Controller
D Verstellbare Halterung
E Fußpedal

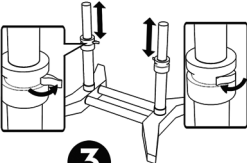
1



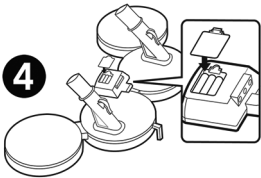
2



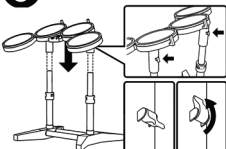
3



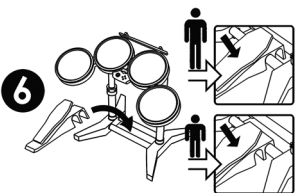
4



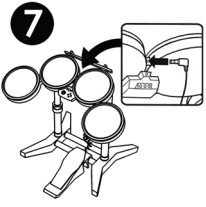
5



6




7




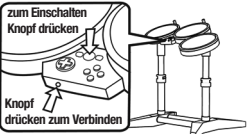
8

zum Einschalten
Knopf drücken




Knopf drücken zum Verbinden





9



Knopf drücken zum Verbinden

Rock Band™-Schlagzeug

WICHTIG! Lesen Sie das Xbox 360 Konsolen-Handbuch, bevor Sie dieses Spiel spielen, um wichtige Sicherheits- und Gesundheitsinformationen, sowie weitere Informationen zum Gebrauch der Xbox 360 zu erhalten.

ACHTUNG! Bitte befolge ALLE Sicherheitshinweise und Anweisungen. Änderungen oder Modifikationen an diesem Rock Band-Schlagzeug ("Controller" oder "Gerät"), die vom Hersteller nicht ausdrücklich genehmigt wurden, können zum Verlust der Betriebserlaubnis und jeglicher Garantieansprüche führen.

- **WARNUNG** Dieses Gerät ist nur für Erwachsene und Kinder ab 12 Jahren geeignet. Kinder unter 36 Monaten sollten nicht mit diesem Gerät spielen. Bewahre das Gerät außerhalb der Reichweite von Kleinkindern auf. Kinder, die mit diesem Rock Band-Controller spielen, sollten IMMER von einem Erwachsenen beaufsichtigt werden.
- **VORSICHT** Bitte stelle sicher, dass um jeden Spieler genügend freier Platz ist, damit umstehende Personen nicht vom Controller oder anderen Spielern getroffen werden. Um Verletzungen zu vermeiden, verwende diesen Rock Band-Controller nur mit größter Vorsicht. Weder EA noch MTV Games haften für Verletzungen, die durch die unsachgemäße Handhabung dieses Rock Band-Controllers entstehen.
- **WARNUNG** Das Gerät darf nur unter Aufsicht von Erwachsenen und ausschließlich in ausreichend großen Räumen verwendet werden, um Schäden oder Verletzungen zu vermeiden. Videospiele können epileptische Anfälle auslösen.

Wichtige Informationen zur Sicherheit und Handhabung

- Modifiziere den Controller nicht, baue ihn nicht auseinander und versuche nicht, ihn zu öffnen.
- Setze den Controller keinen extremen Bedingungen, wie direktem Sonnenlicht oder übermäßiger Feuchtigkeit, aus.
- Lasse den Controller nicht in Kontakt mit Flüssigkeiten kommen.
- Reinige den Controller mit einem trockenen Tuch. Verwende auf keinen Fall Chemikalien.

Wenn der Controller den Radio- oder Fernsehempfang stört (kann durch Ein- und Ausschalten des Controllers überprüft werden), versuche, die Störung durch eine oder mehrere der folgenden Maßnahmen zu beheben:

- Richte die Empfangsantenne (sofern vorhanden) des Controllers neu aus oder stelle sie an einem anderen Ort auf.
- Erhöhe den Abstand zwischen dem Controller und der Spielkonsole.
- Wende dich an Electronic Arts: <http://rockbandservice.ea.com>.

EU-Konformitätserklärung: Dieses Gerät wurde getestet und entspricht den Anforderungen der EU-Direktiven 1999/5/EG und 2004/108/EG. Der Handlungsbevollmächtigte des Herstellers ist Harmonix Music Systems, Inc., 625 Massachusetts Ave., Cambridge, Massachusetts 02139, USA.

United States and Canada: This class B digital device (the Rock Band Game Controller) has been tested by Harmonix Music Systems, Inc., 625 Massachusetts Ave., Cambridge, Massachusetts 02139, 1-617-491-6144, and found to comply with part 15 of the FCC rules and the Canadian RSS-210 which sets forth limits designed to provide reasonable protection against harmful interference in a residential installation. This device uses, generates and can radiate radio frequency energy and if not installed and used in accordance with the instructions, may cause harmful interference to radio communications; however, there is no guarantee that interference will not occur in any particular location or use. Operation is subject to the following two conditions: (1) This device may not cause harmful interference and (2) this device must accept any interference received, including interference that may cause undesired operation.

Exposure to Radio Frequency Radiation

The radiated output power of the controller is well within FCC radio frequency exposure limits for this type of device when unaltered and used as described in our instructions and the controller operates within guidelines found in radio frequency safety standards, which reflect the consensus of the scientific community and therefore, the manufacturer believes the device's internal wireless radio is safe for use by consumers. The level of energy emitted is far less than the electromagnetic energy emitted by wireless devices such as mobile phones. However, the use of wireless radios may be restricted in some situations (e.g., on airplanes). If you are unsure of restrictions that may apply in any situation, you must ask for authorization before turning on, connecting or using the controller.



Beim Thema Recycling stehen auch die Verbraucher in der Verantwortung. Entsorge elektrische/elektronische Geräte und Batterien nicht über den Hausmüll. Sammle sie gesondert und entsorge sie vorschriftsgemäß. Wenn du nicht sicher bist, wie du entsprechende Geräte entsorgen oder recyceln kannst, wende dich an Electronic Arts (<http://rockbandservice.ea.com>) oder deine Gemeindeverwaltung.

Das Mülltonnen-Symbol auf der Verpackung weist dich darauf hin, dass du diese Geräte nicht über den Hausmüll, sondern gesondert entsorgen bzw. recyceln sollst.

Einige Studien werfen die Frage auf, ob elektrische und elektronische Geräte und die möglicherweise darin enthaltenen Schadstoffe negative Auswirkungen auf die Gesundheit haben könnten. Wenn du im Zusammenhang mit der Benutzung des Controllers Fragen zu deiner Gesundheit hast, wende dich bitte an deinen Hausarzt.

Begrenzte Hardware-Garantie

Electronic Arts und seine Lizenzgeber garantieren dem ursprünglichen Käufer eines Rock Band-Hardwaregeräts – insbesondere einer Gitarre, eines Schlagzeugs oder eines Mikrofons – (das "Peripheriegerät"), dass das Peripheriegerät gemäß strenger Qualitätsstandards entwickelt und hergestellt wurde, und dass es frei von Material- oder Verarbeitungsfehlern ist. Diese Garantie gilt ab dem Lieferdatum für die am Wohnort des ursprünglichen Käufers gesetzlich vorgeschriebene Garantiezeit für entsprechende Produkte, mindestens aber 60 Tage. Wenn du in einem Mitgliedsstaat der Europäischen Union wohnst, beträgt die Garantiezeit für dieses Produkt 2 Jahre. Wenn das Peripheriegerät innerhalb der geltenden Garantiefrist einen Defekt aufweist und von dir zurückgegeben wird, repariert oder ersetzt Electronic Arts das defekte Peripheriegerät (oder das defekte Bauteil innerhalb des Peripheriegeräts), ohne dir die Kosten für die Reparatur bzw. den Austausch in Rechnung zu stellen. Deine übrigen Rechte bleiben davon unberührt. Diese Garantie gilt für den ursprünglichen Käufer und die vorgesehene Verwendung des Peripheriegeräts im Sinne der mitgelieferten Gebrauchsanweisung. Schäden oder Defekte, die aus Missbrauch, unsachgemäßer Handhabung, Fahrlässigkeit, Unfall, Modifikation oder fehlerhafter Anwendung des Peripheriegeräts entstehen, werden von dieser Garantie nicht abgedeckt und machen diese unwirksam. Weitere Informationen bekommst du von Electronic Arts unter <http://rockbandservice.ea.com>.

Wenn du in Australien oder Neuseeland wohnst, sind von dieser Garantie, diesen Nutzungsbedingungen und dieser Vereinbarung alle durch spezifische Gesetze, allgemeine Gesetze, Handelsbrauch oder Gewohnheitsrechte implizierten Bedingungen und Garantien ausgeschlossen, mit Ausnahme aller nicht ausschließbaren Bedingungen. Mit Ausnahme der von Gesetzen oder Bestimmungen erforderlichen Haftung hinsichtlich nicht ausschließbarer Bedingungen schließen wir unsere Haftung dir gegenüber für mögliche Handlungen oder Nichthandlungen aus, gleich ob vertragsrechtlich, deliktrechtlich (einschließlich Fahrlässigkeit) oder anderweitig mit diesem Gerät oder unserer Vereinbarung in Zusammenhang stehend. Für die Zwecke dieser Bestimmung bedeutet eine "nicht ausschließbare Bedingung" eine stillschweigende Garantie oder Gewährleistung, deren Ausschluss im Falle australischer Endverbraucher gegen den Australian Trade Practices Act 1974 ("TPA") bzw. im Falle neuseeländischer Endverbraucher gegen den New Zealand Consumer Guarantees Act 1993 ("CGA") verstoßen würde oder deren Ausschluss für eines oder beide Länder den Haftungsausschluss bzw. die Haftungsbeschränkung ganz oder teilweise nichtig machen würde. Im Falle eines Verstoßes gegen eine nicht ausschließbare Bedingung (mit Ausnahme der in Absatz 69 des TPA in Australien implizierten Bedingungen) sind deine Rechtsmittel beschränkt. Unsere Haftung ist nach unserem Ermessen beschränkt auf die Neulieferung oder den Ersatz bzw. die Reparatur des Gerätes (oder (nach unserem Ermessen) die Erstattung der für eine dieser Optionen anfallenden Kosten).

Obwohl dir als Endverbraucher möglicherweise gewisse Rechte gegenüber dem Händler zustehen, bei dem du dieses Peripheriegerät erworben hast, werden diese Rechte durch diese Ausschlüsse und Einschränkungen beeinflusst und verändert. Wenn du Kundendienstleistungen gemäß der von Electronic Arts und seinen Lizenzgebern gewährten Garantie in Anspruch nehmen möchtest, gib deine Rock Band-Peripheriegeräte (Gitarrencontroller und Schlagzeuge) bitte in dem Ladengeschäft zurück, in dem du die / das defekte(n) Instrument erworben hast.

BITTE SCHICKE KEINE DEFEKTEN GITARREN ODER SCHLAGZEUGE AN ELECTRONIC ARTS.

Falls du einen Austausch deines Gitarrengurtes, der Drum Sticks, der Fusspedale zum Schlagzeug, deines Mikrofons oder des USB Hubs benötigst, wende dich bitte direkt an: **Electronic Arts GmbH, z.Hd. Kundendienst, Im Zollhafen 15-17, D-50678 Köln**. Im unwahrscheinlichen Fall, dass du ein Problem mit Rock Band oder einem dazugehörigen Peripheriegerät hast, besuche die Website <http://rockbandservice.ea.com>. Hier findest du detaillierte Anweisungen für die Nutzung unseres Garantie-Kundendienstprogramms.

Du bestätigst hiermit, dass deine Rechte als Endverbraucher von deinem Wohnort abhängig sind und dass einige Rechte je nach Wohnort und den dort geltenden Gesetzen und Bestimmungen für dich nicht oder nur abgewandelter Form gelten. Wenn du dir nicht sicher bist oder Fragen zu deinen Rechten hast, wende dich an deinen Rechtsbeistand, um die für dich geltenden Gesetze und Bestimmungen in Erfahrung zu bringen.

Ausschluss anderer Garantien/Rechtsmittel

Wurde das Peripheriegerät durch Modifikation, Missbrauch, unsachgemäßen Gebrauch, Fahrlässigkeit oder einen Unfall beschädigt, erlischt die Garantie und du musst dich an die Rückgabebestimmungen für die Zeit nach dem Ablauf der Garantiezeit halten.

MIT AUSNAHME DER OBEN ERLÄUTERTEN AUSDRÜCKLICH BEGRENZTEN GARANTIEEN UND/ODER SOWEIT BESTIMMTE GARANTIEEN ODER RECHTE GEMÄSS DER GESETZE UND BESTIMMUNGEN DEINES WOHNORTS NICHT AUSGESCHLOSSEN ODER EINGESCHRÄNKT WERDEN DÜRFEN, SCHLIESSEN ELECTRONIC ARTS UND SEINE LIZENZGEBER HIERMIT SÄMTLICHE MÜNDLICHEN, SCHRIFTLICHEN, AUSDRÜCKLICHEN ODER STILLSCHWEIGENDEN GARANTIEEN AUS, EINSCHLIESSLICH EINER ETWAIGEN GARANTIE DER MARKTGÄNGIGKEIT ODER EIGNUNG FÜR EINEN BESTIMMTEN ZWECK. ES GELTEN KEINE WEITEREN GARANTIEEN ODER GEWÄHRLEISTUNGEN JEDWEDER ART. ELECTRONIC ARTS UND SEINE LIZENZGEBER UNTERLIEGEN KEINEN WEITEREN GARANTIEEN ODER GEWÄHRLEISTUNGEN JEDWEDER ART.

Sollten solche Garantien aufgrund der an deinem Wohnort geltenden Gesetze nicht ausgeschlossen werden können, werden solche Garantien für dieses Peripheriegerät auf die oben beschriebene für dich geltende Garantiezeit befristet. Electronic Arts und seine Lizenzgeber haften unter keinen Umständen für spezielle Schäden, Folgeschäden oder beiläufige Schäden, die aus dem Besitz, dem Gebrauch oder einer Fehlfunktion von Rock Band, einem Peripheriegerät oder anderem Produkt entstehen, insbesondere nicht für Schäden an Eigentum und, soweit gesetzlich zulässig, Personenschäden, selbst wenn Electronic Arts und seine Lizenzgeber auf die Möglichkeit solcher Schäden aufmerksam gemacht wurden. Einige Gerichtsbarkeiten erlauben bestimmte Einschränkungen oder Ausschlüsse nicht, weshalb die oben stehenden Einschränkungen und Ausschlüsse unter Umständen nicht für dich gelten. In all diesen Gerichtsbarkeiten wird die Haftung von Electronic Arts und seiner Lizenzgeber im gesetzlich zulässigen Maße beschränkt und die Ausschlüsse werden im gesetzlich zulässigen Maße ausgelegt.

Kontaktadressen von Electronic Arts

<http://rockbandservice.ea.com>

© 2008 Harmonix Music Systems, Inc. All rights reserved. Harmonix, Rock Band and all related titles and logos are trademarks of Harmonix Music Systems, Inc., a division of MTV Networks. Rock Band developed by Harmonix Music Systems, Inc. EA and the EA logo are trademarks or registered trademarks of Electronic Arts Inc. in the U.S. and/or other countries. Microsoft Xbox, Xbox 360, Xbox LIVE, and the Xbox logos are trademarks of the Microsoft group of companies and are used under license from Microsoft. All other trademarks are the property of their respective owners.

This product contains copyrighted material owned and/or distributed under authority by Quazal Technologies, Inc.
© 1998-2007, QUAZAL Technologies Inc. All Rights Reserved

Facial Animation software provided by FaceFX. © 2002-2006, OC3 Entertainment, Inc. and its licensors. All rights reserved.

Voicel™ Game Solutions SDK



Uses Bink Video. Copyright © 1997-2007 by RAD Game Tools, Inc.

Developed by Harmonix Music Systems. Protected by US Patent numbers 6,429,863 6,482,087 and 7,164,076



© Sailor Jerry artwork and designs © 1999-2007 Sailor Jerry Ltd. All rights reserved. 'Sailor Jerry' and all related marks and logos are trademarks of Sailor Jerry Ltd.

Fonts provided by Jukebox, House Industries, Eisner & Flake, Monotype, and Underware. Fakir is a trademark of Underware (Groenewegje 136, 2515 LR Den Haag, the Netherlands, www.underware.nl) and may be registered in certain jurisdictions.

Protected by one or more of United States Patent Nos. 6,429,863, 6,482,087, 7,320,643 and European Patent No. 1257996.
Other US and foreign patents pending.

Peripheriegeräte hergestellt von:
Harmonix Music Systems, Inc.
625 Massachusetts Avenue
Cambridge, Massachusetts 02139
United States of America

Peripheriegeräte importiert von:
(in Nord Amerika)
Electronic Arts, Inc.
209 Redwood Shores Parkway
Redwood City, California 94065
United States of America

(in allen anderen Ländern)
EA Swiss Sàrl
Place du Molard 8
1204 Geneva
Schweiz

WICHTIGE INFORMATIONEN ZU DEN BATTERIEN DRAHTLOSER CONTROLLER

- Verwende nur neue Standardbatterien des Typs AA Alkaline.
- Ersetze alle leeren Batterien gleichzeitig mit Batterien desselben Typs.
- Achte darauf, dass du die Batterien korrekt einlegst, indem du die im Handbuch und im Batteriefach des Controllers angegebene Polung beachtest. Lege die Batterien nicht falsch ein.
- Wird der Controller längere Zeit nicht benutzt, solltest du die Batterien entfernen.
- Nicht-wiederaufladbare Batterien dürfen nicht wieder aufgeladen werden.
- Das Aufladen von Akkus sollte immer unter Aufsicht eines Erwachsenen erfolgen.
- Alte und neue Batterien sowie Batterien unterschiedlichen Typs sollten nie zusammen verwendet werden.
- Alkaline-Batterien, Standard-Batterien (Zink-Kohle) und Akkus (Nickel-Cadmium) sollten nie zusammen verwendet werden.
- Verbrauchte Batterien sollten entfernt werden.
- Anschlüsse dürfen nicht kurzgeschlossen werden.

KORREKTE AUFBEWAHRUNG UND ENTSORGUNG VON BATTERIEN

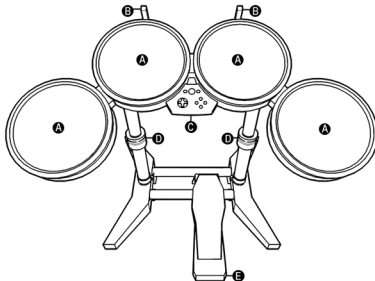
- Batterien können explodieren oder auslaufen und verursachen unter Umständen Verbrennungen, wenn sie aufgeladen, Feuer ausgesetzt, mit anderen Batterietypen kombiniert, falsch eingesetzt oder zerlegt werden.
- Bewahre Batterien nie an einem heißen Ort auf.
- Bewahre Batterien nicht lose in deinen Taschen oder Handtasche auf.
- Entferne das Etikett der Batterie nicht.
- Überprüfe die örtlichen Bestimmungen oder wende dich an die zuständigen Behörden oder deine Gemeinde, um dich zu informieren, ob du Batterien gesondert entsorgen musst. Lies und befolge die Anweisungen des Herstellers, um Verletzungen und Schäden zu vermeiden und dich an die geltenden Gesundheits-, Sicherheits- und Umweltgesetze und -bestimmungen zu halten.

WICHTIG Sicherheitsinformationen zum Stolperschutz

- **VORSICHT** Dieser Rock Band-Spielcontroller ist mit einem Stolperschutz ausgestattet, der Teil der Verbindung zwischen dem Controller und der Xbox 360 ist. Dieses Sicherheitsmerkmal dient dazu, Schäden an deinem Controller oder deiner Xbox 360 zu vermeiden. Wenn an der Xbox 360 gezogen wird oder diese hinunterfällt, kann dies zu Verletzungen bei umstehenden Personen und/oder zu Schäden an der Xbox 360 oder dem Controller führen. Um die Gefahr von Verletzungen und Schäden an der Xbox 360 oder dem Controller zu verringern, müssen der Controller und der Stolperschutz korrekt verwendet werden. Der Stolperschutz dient der automatischen Abtrennung des Controllers von der Xbox 360, wenn am Kabel gezogen wird oder der Controller plötzlichen und ruckartigen Bewegungen ausgesetzt wird. Verwende immer den Xbox 360-Stecker und nicht den Stolperschutz, um den Controller an die Xbox 360 anzuschließen oder von dieser zu entfernen. Hat sich der Stolperschutz gelöst, verbinde ihn wieder, indem du die geriffelten Einkerbungen übereinander ausrichtest und die beiden Teile zusammenschiebst. Der Stolperschutz verringert die Gefahr von Verletzungen umstehender Personen und von Schäden an der Xbox 360 oder dem Controller, kann diese jedoch nicht vollkommen ausschließen.
- **WARNUNG** Der Rock Band-Spielcontroller funktioniert nur, wenn der Stolperschutz korrekt angeschlossen ist. Klebe den Stolperschutz nicht mit Klebeband oder Leim fest, um seine Funktionalität zu gewährleisten und schwere Verletzungen bei umstehenden Personen oder Schäden an der Xbox 360 oder dem Controller zu verhindern. Bei Zuwiderhandlung erlischt automatisch die Garantie.


KIT DE BATERÍA

Instrucciones de montaje para Xbox 360

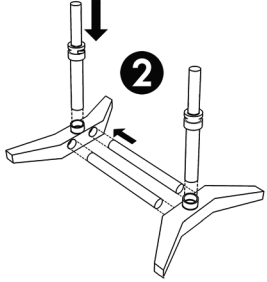


- A** Pads de batería
- B** Ganchos para las baquetas
- C** Mando Xbox
- D** Regulador
- E** Pedal

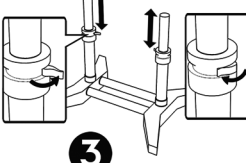
1



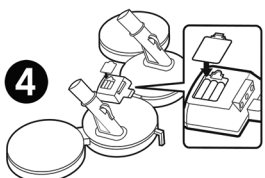
2



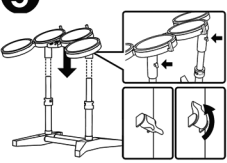
3




4



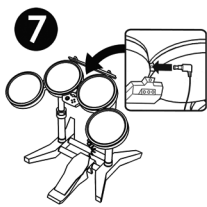
5



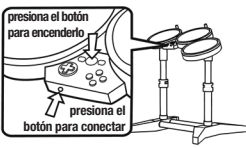
6



7




8



presiona el botón para encenderlo

presiona el botón para conectar

9



presiona el botón para conectar

Kit de batería de Rock Band™

¡IMPORTANTE! Antes de usar la Xbox 360 con este producto, lee el manual de instrucciones que contiene la información de seguridad, salud y de otra índole en el uso de la Xbox 360.

¡PRECAUCIÓN! Por favor, sigue TODAS las advertencias e instrucciones de seguridad. Los cambios y modificaciones en este kit de batería de Rock Band ("mando" o "dispositivo") que no estén expresamente aprobados por el fabricante, podrían anular la autoridad del usuario para manejar este mando y todas las garantías.

- **ADVERTENCIA** NINGÚN NIÑO DE MENOS DE 36 MESES DEBERÍA UTILIZAR NI JUGAR CON ESTE DISPOSITIVO, Y USTED DEBERÍA MANTENERLO FUERA DE SU ALCANCE. Este dispositivo es apto y está dirigido a adultos y niños de al menos 12 años de edad. Los niños que tengan permiso para utilizar el mando de Rock Band deberían hacerlo SIEMPRE bajo supervisión de un adulto.
- **CUIDADO** Por favor, asegúrese de que los jugadores que utilicen el mando de Rock Band tienen espacio suficiente para no recibir golpes con el mando o de otros jugadores. El mando de Rock Band debe utilizarse con cuidado para evitar accidentes. NI EA ni MTV Games serán responsables de ninguna herida o lesión que resulte de un uso inadecuado del mando de Rock Band.
- **ADVERTENCIA** El dispositivo debe utilizarse únicamente con supervisión de un adulto y con espacio suficiente para evitar heridas y daños. Existe un riesgo potencial de que los videojuegos causen ataques epilépticos.

Información importante sobre seguridad y utilización adecuada

- No modifique, desmonte o intente abrir el mando.
- No exponga el mando a condiciones extremas, como luz solar directa o humedad excesiva.
- No exponga el mando a líquidos.
- Si es necesario limpiarlo, utilice un paño seco para limpiar la zona afectada. No utilice nunca productos químicos.

Si el mando causa alguna interferencia en la recepción de la señal de radio o de televisión (se puede averiguar apagando y encendiendo el mando), el usuario puede solucionar la interferencia tomando alguna de las siguientes medidas:

- Redirija o recolocque la antena receptora del mando, si procede.
- Aumente la separación entre el mando y la consola.
- Póngase en contacto con Electronic Arts en <http://rockbandservice.ea.com>.

Declaración de conformidad de la UE: Este dispositivo ha sido probado y cumple los requisitos de las Directivas de la Unión Europea 1999/5/EC y 2004/108/EC. El signatario autorizado del fabricante es Harmonix Music Systems, Inc., 625 Massachusetts Ave., Cambridge, Massachusetts 02139.

Estados Unidos y Canadá: Este dispositivo digital de clase B (el mando de Rock Band) ha sido probado en Harmonix Music Systems, Inc., 625 Massachusetts Ave., Cambridge, Massachusetts 02139, 617-491-6144, y cumple con la sección 15 de las normas de la FCC y la RSS-210 de Canadá, que establecen los límites que aseguran una protección razonable frente a las interferencias perjudiciales en una instalación doméstica. Este dispositivo utiliza, genera y puede emitir energía por frecuencia de radio, y si no se instala y se utiliza como indican las instrucciones, puede causar interferencias perjudiciales a comunicaciones por radio. Sin embargo, no se garantiza que las interferencias no se produzcan en una ubicación o con una utilización determinada. El funcionamiento depende de las siguientes dos condiciones: (1) Este dispositivo no tiene por qué causar interferencias perjudiciales, y (2) Este dispositivo debería soportar cualquier interferencia recibida, incluidas las interferencias que pueden causar fallos de funcionamiento.

Exposición a la emisión de frecuencias de radio

La potencia de salida emitida por el mando se encuentra dentro de los límites de frecuencia de radio de la FCC para este tipo de dispositivo, si no se modifica y se utiliza tan y como se indica en las instrucciones y el mando se maneja según las indicaciones de los estándares de seguridad de frecuencia de radio, que reflejan el acuerdo en la comunidad científica, y por lo tanto el fabricante confía en que la radio inalámbrica interna del dispositivo es completamente inofensiva para el usuario. El nivel de energía emitida es muy inferior a la energía electromagnética por dispositivos inalámbricos como teléfonos móviles. Sin embargo, el uso de radios inalámbricas estará restringido en determinadas situaciones (como en aviones, por ejemplo). Si no está seguro de las restricciones que se aplican en tu caso, tendrá que solicitar permiso antes de encender, conectar o utilizar el mando.



Los consumidores deben tomar parte activa en el reciclaje. No tire a la basura equipo eléctrico o electrónico, como baterías. Deshágase de él de forma adecuada y por separado. Si no está seguro de cómo deshacerse correctamente o reciclar estos objetos, puede ponerse en contacto con Electronic Arts en <http://rockbandservice.ea.com> o póngase en contacto con funcionarios administrativos locales para obtener información relacionada en tu zona.

En el envase hay un símbolo de un cubo de basura con una marca que lo atraviesa que indica que no debe tirar estos objetos a la basura normal, sino que debe reciclarlos por separado.

Se han realizado estudios que plantean dudas sobre los potenciales efectos de los equipos eléctricos y electrónicos, y sobre las sustancias peligrosas que pueden contener, en la salud de las personas. Consulte siempre con sus profesionales sanitarios de confianza acerca de las medidas de seguridad que debe tomar

Garantía limitada de dispositivos de hardware (periféricos)

Electronic Arts y sus licenciadores garantizan al comprador original de cualquier dispositivo de hardware de Rock Band, como una guitarra, una batería o un micrófono, (el "Periférico"), que el Periférico ha sido diseñado y fabricado de acuerdo con estándares de calidad muy estrictos y garantizan que el Periférico no contiene defectos en cuanto a materiales y fabricación a partir de la fecha de entrega, que es el periodo mínimo de garantía obligatorio por ley en el que el comprador original reside para productos del tipo de este Periférico, hasta no menos de 60 días. Si el comprador es un habitante de la Unión Europea, el periodo mínimo de garantía aplicable a este producto por parte de Electronic Arts y sus licenciadores es de dos años. Si durante la garantía, y si es aplicable en su caso, el Periférico tiene algún defecto y lo devuelve dentro del periodo de garantía aplicable en su caso, Electronic Arts reparará o sustituirá el Periférico defectuoso (o cualquier componente que tenga algún defecto dentro del Periférico) sin cargos para el comprador. Cualquier otro derecho estatutario que el comprador tenga no se verá afectado. Esta garantía se aplica al comprador original para el uso normal al que se destina este producto, tal y como indican las instrucciones suministradas. Cualquier daño que resulte del abuso, uso indebido, negligencia, accidente, modificación o mal trato del Periférico no está cubierto y anulará los términos de esta garantía. Para obtener más información, póngase en contacto con Electronic Arts en <http://rockbandservice.ea.com>.

Si el comprador es un habitante de Australia o Nueva Zelanda, quedan excluidos de esta garantía todos los demás términos, condiciones y acuerdos, todas las condiciones, garantías y términos a los que hacen referencia los estatutos, la ley general o el uso y costumbre, excepto cualquier condición no excluible. Excepto en lo que se refiere a la responsabilidad exigida por ley o por las normativas con relación a cualquier condición no excluible, nuestra responsabilidad con el comprador por cualquier acción u omisión, tanto si se deriva del contrato como por agravio, incluyendo negligencia, o de otro modo relacionado con el dispositivo o nuestro acuerdo, queda por el presente documento invalidada y excluida. Para estos fines, la "condición de no excluible" incluye cualquier garantía implícita, condición o garantía cuya exclusión infringiría, en caso de los consumidores australianos la Australian Trade Practices Act 1974 (Ley de Prácticas de Comercio Australiana de 1974) ("TPA") o, en caso de los consumidores de Nueva Zelanda, la New Zealand Consumer Guarantees Act 1993 (Ley de Garantías del Consumidor de Nueva Zelanda de 1993) ("CGA") o en cualquier caso, anularía todo o parte de cualquier exclusión o limitación de responsabilidad o recurso. En caso de cualquier infracción de una condición de no excluible (diferente a la incluida en la sección 69 de la TPA en Australia), los recursos del comprador son limitados, y a nuestra discreción, nuestra responsabilidad se limita a volver a suministrar, sustituir o reparar el dispositivo (o a la discreción del comprador, a pagar los costes de hacer cualquier de estas acciones).

Aunque puede que el comprador tenga algún derecho como consumidor en lo referente al establecimiento de venta en el que ha comprado este Periférico, estas exclusiones y restricciones, no los términos y condiciones, afectan o modifican los derechos que pueda tener bajo la ley que se aplica a su compra o a las transacciones con dichos establecimientos de venta o comercios.

Si quiere acceder al servicio que proporcionan Electronic Arts y sus licenciadores bajo la garantía, tal y como se describe anteriormente, **NO** devuelva ningún Periférico de Rock Band (incluyendo guitarras, baterías y micrófonos) a los comercios, aunque sea el lugar donde se realizó la compra original el Periférico. Los comerciantes **NO** son parte de nuestro programa de asistencia de garantía de Periféricos autorizado. En el caso poco probable de que tenga algún problema con Rock Band o alguno de sus periféricos, visita <http://rockbandservice.ea.com>. Este sitio web incluye información pormenorizada de cómo beneficiarse del programa de asistencia de garantía.

Entiende que sus derechos como consumidor pueden variar dependiendo del lugar en el que viva, y que todos o alguno de sus derechos pueden ser diferentes o no aplicables dependiendo del lugar de residencia y de las leyes y normativas locales aplicables. Si tiene alguna duda o pregunta sobre sus derechos, debería consultar a tus asesores para determinar qué leyes y normativas se aplican en su caso.

Exclusión de otras garantías/recursos

Si el Periférico sufre daños por abuso, uso indebido, negligencia, accidente, modificación o mal trato, cualquier garantía aplicable se anulará y tendrás que seguir las instrucciones correspondientes a las devoluciones tras el periodo de garantía.

EXCEPTO EN LAS GARANTÍAS LIMITADAS EXPRESAS ESTABLECIDAS ANTERIORMENTE Y/O EN LA MEDIDA EN QUE CUALQUIER GARANTÍA PARTICULAR O DERECHO NO SEA EXCLUIDO O LIMITADO POR LAS LEYES O NORMATIVAS DE LA REGIÓN EN LA QUE VIVA, ELECTRONIC ARTS Y SUS LICENCIADORES RECHAZAN POR EL PRESENTE DOCUMENTO CUALQUIER GARANTÍA, TANTO ORAL COMO ESCRITA, EXPRESA O IMPLÍCITA, INCLUIDAS GARANTÍAS DE COMERCIABILIDAD O ADECUACIÓN PARA UN PROPÓSITO DETERMINADO, Y NINGUNA OTRA REPRESENTACIÓN NI GARANTÍA DE NINGUNA NATURALEZA SE APLICARÁ O SERÁ VINCULANTE PARA CON ELECTRONIC ARTS NI SUS LICENCIADORES.

Si ninguna de esas garantías se puede excluir por las leyes particulares que se aplican en su caso, entonces las garantías aplicables a este Periférico se limitan al periodo de garantía descrito anteriormente que se aplica a usted. En ningún caso serán Electronic Arts o sus licenciadores responsables de ningún daño especial, accidental o secundario que resulta de la posesión, utilización o mal manejo de Rock Band, cualquier Periférico o cualquier otro producto, incluyendo el daño a la propiedad, y en la medida en que la ley lo permita, daños por lesiones personales, aunque Electronic Arts o sus licenciadores hayan sido avisados de la posibilidad de dichos daños.

ALGUNAS LEGISLACIONES NO PERMITEN LIMITACIÓN EN LA DURACIÓN DE LAS GARANTÍAS IMPLÍCITAS, POR ELLO, LAS LIMITACIONES ANTERIORES PUEDEN NO APLICARSE EN SU CASO. EN TODAS Y CADA UNA DE LAS JURISDICCIONES, LA RESPONSABILIDAD DE ELECTRONIC ARTS Y SUS LICENCIADORES SERÁ LIMITADA, Y LAS EXCLUSIONES SE INTERPRETARÁN PARA APLICARSE DENTRO DE LOS LÍMITES PERMITIDOS POR LA LEY.

Información de contacto de Electronic Arts

<http://rockbandservice.ea.com>

© 2008 Harmonix Music Systems, Inc. Todos los derechos reservados. Harmonix, Rock Band y todos los títulos y logotipos asociados, son marcas comerciales de Harmonix Music Systems, Inc., una división de MTV Networks. Rock Band desarrollado por Harmonix Music Systems, Inc. EA y el logotipo de EA son marcas comerciales o marcas comerciales registradas de Electronic Arts Inc. en los EE.UU. y en otros países. Este producto se ha fabricado bajo licencia de Microsoft Corporation. Microsoft, Xbox, Xbox 360, Xbox LIVE y los logotipos Xbox son marcas comerciales del grupo de empresas Microsoft y se usan bajo licencia de Microsoft.

Este producto contiene material con copyright, cuya propiedad o distribución está realizada con autorización de Quazal Technologies, Inc. © 1998-2007, QUAZAL Technologies Inc. Todos los derechos reservados.

El software de Animación Facial ha sido proporcionada por FaceFX. © 2002-2006, OC3 Entertainment, Inc. y sus licenciatarios. Todos los derechos reservados.

Voicelntm Game Solutions SDK



Se hace uso de Bink Video. Copyright © 1997-2007 de RAD Game Tools, Inc.

Desarrollado por Harmonix Music Systems.

Protegido por las patentes de EE UU 6.429.863, 6.482.087 y 7.164.076



© Grafismo y diseños de Sailor Jerry © 1999-2007 Sailor Jerry Ltd. Todos los derechos reservados. 'Sailor Jerry' y todos los logotipos y marcas relacionadas son marcas comerciales de Sailor Jerry Ltd.

Fuentes proporcionadas por Jukebox, House Industries, Elsner & Flake, Monotype, y Underware. Fakir es una marca comercial de Underware (Groenewegje 136, 2515 LR Den Haag, Holanda, www.underware.nl) y puede estar registrada en ciertas jurisdicciones.

Protegida por una o varias patentes de Estados Unidos: 6.429.863, 6.482.087, 7.320.643 y por la patente europea N° 1257996. Pendiente de otras patentes estadounidenses y extranjeras.

Periféricos fabricados por:

Harmonix Music Systems, Inc.
625 Massachusetts Avenue
Cambridge, Massachusetts 02139
United States of America

Periféricos importados por:

(en Norteamérica)
Electronic Arts, Inc.
209 Redwood Shores Parkway
Redwood City, California 94065
Estados Unidos

(en otros países)
EA Swiss sarl
Place du Molard 8
1204 Ginebra
Suiza

INFORMACIÓN IMPORTANTE SOBRE LAS PILAS PARA MANDOS INALÁMBRICOS

- Utilice solo pilas alcalinas normales AA nuevas.
- Sustituya todas las pilas usadas a la vez por otras pilas del mismo tipo.
- Asegúrese de que introduce las pilas correctamente siguiendo los signos + y - tal y como indica el manual de instrucciones y el compartimiento para pilas del mando. Nunca inserte las pilas al revés.
- Si sabe que no va a utilizar el mando durante un periodo largo de tiempo, le recomendamos que extraiga las pilas.
- Las pilas no recargables no se pueden recargar.
- Es necesaria la supervisión de un adulto en el momento de cargar las pilas recargables.
- No mezcle pilas viejas y nuevas o de tipos diferentes.
- No mezcle pilas alcalinas, normales (zinc-carbón) o recargables (níquel-cadmio).
- Extraiga las pilas gastadas del juguete.
- No realice cortocircuitos en terminales de alimentación.

ALMACENAR Y DESHACERSE DE PILAS USADAS ADECUADAMENTE

- Las pilas pueden explotar o tener pérdidas y provocar quemaduras si se recargan, si se tiran al fuego, si se mezclan con pilas de otro tipo, si se introducen al revés o si se desmontan.
- Nunca almacene ni eche pilas al fuego o a un lugar en llamas.
- No lleve pilas sueltas en el bolso o bolsillos.
- No extraiga la etiqueta de las pilas.
- Las pilas alcalinas normales no suelen representar ningún riesgo para la salud ni para el medio ambiente al utilizarse, guardarse o deshacerse de ellas, y dependiendo de la legislación local, en la mayoría de los casos se pueden arrojar a la basura normal de un hogar.

- Le recomendamos que compruebe las normativas locales, que se ponga en contacto con las autoridades locales o que busque en las direcciones del directorio de gobierno local si existe un lugar especial para la recogida de pilas o si hay alguna instrucción o requisito especial en su lugar de residencia. En el caso de las pilas recargables u otro tipo de pilas, el fabricante debería proporcionar instrucciones precisas sobre cómo deshacerse de ellas, y usted debería siempre leerlas y seguir las instrucciones del fabricante para evitar lesiones y daños y para cumplir con la ley y las normativas de protección de la salud, la seguridad y el medio ambiente.

IMPORTANTE Información de seguridad relativa al conector de la desconexión de seguridad

- **PRECAUCIÓN** El mando de juego de Rock Band incluye un conector de la desconexión de seguridad que forma parte de la conexión del mando a la Xbox 360. Se trata de una función de seguridad diseñada para disminuir la posibilidad de daños en el mando o en la consola Xbox 360. Si se tira de la consola Xbox 360 o se cae, podría causar heridas graves a personas cercanas o en el mando o en la propia Xbox 360. Para reducir el riesgo de daños en la Xbox 360 o en el mando, es importante utilizar el mando y el conector de la desconexión de seguridad adecuadamente. La finalidad del conector de la desconexión de seguridad es desconectarse cuando el cable recibe un tirón o un movimiento súbito. Utilice siempre el conector Xbox 360, no el conector de la desconexión de seguridad, para conectar o desconectar habitualmente el mando de la consola Xbox 360. Si el conector de la desconexión de seguridad se desconecta, simplemente vuelva a conectarlo alineando las ranuras y apretando ambas partes una contra otra. El conector de la desconexión de seguridad reducirá, pero no eliminará, el riesgo de daños en el mando y en la consola Xbox 360 y el riesgo potencial de que una persona sufra algún tipo de daño.
- **ADVERTENCIA** El mando de juego de Rock Band no funcionará a menos que el conector de la desconexión de seguridad esté bien conectado. No pegue con cinta ni con pegamento el conector de la desconexión de seguridad ni impida que de algún modo se desconecte, ya que esa es su finalidad y podrían ocasionarse lesiones graves a personas cercanas, al mando o a la consola Xbox 360. Además, invalidaría su garantía.