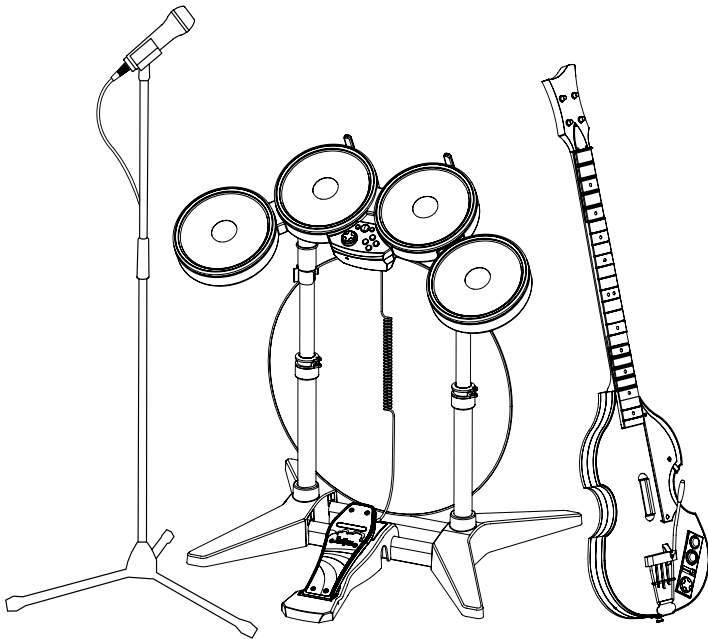


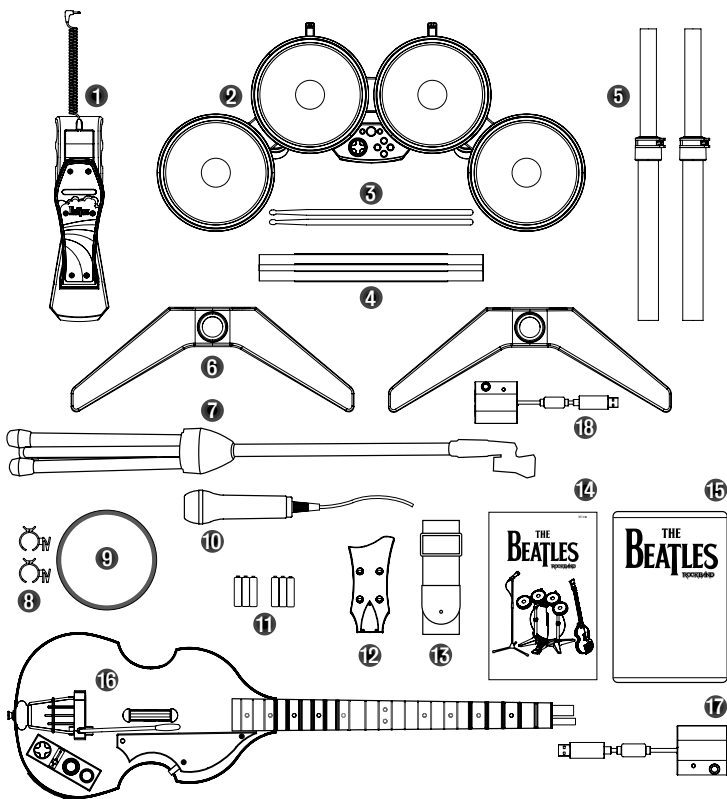
Wii™

# THE BEATLES™ ROCKBAND™



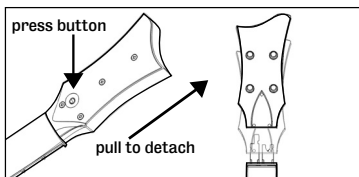
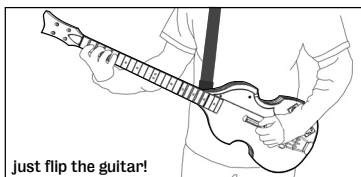
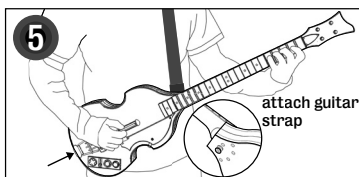
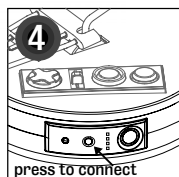
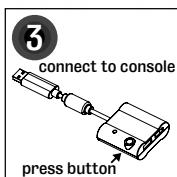
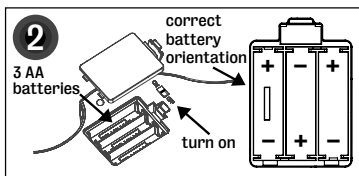
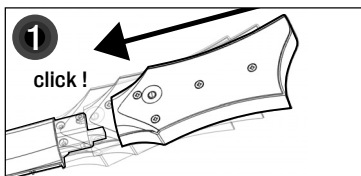
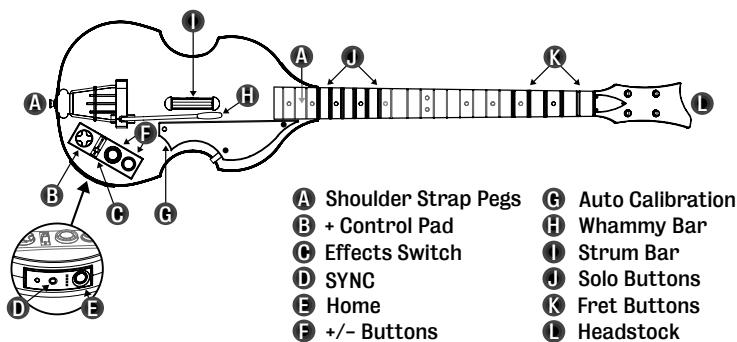
Contents...  
for Wii™

# THE BEATLES ROCKBAND



- |                        |                                |
|------------------------|--------------------------------|
| 1 Kick Pedal           | 10 Microphone                  |
| 2 Drum Array           | 11 2 x 3 AA batteries          |
| 3 2 x Drum Sticks      | 12 Headstock                   |
| 4 2 x Cross Bars       | 13 Guitar Controller Strap     |
| 5 2 x Legs             | 14 Hardware Manual             |
| 6 2 x Base parts       | 15 The Beatles: Rock Band Game |
| 7 Microphone Stand     | 16 Wireless Guitar Controller  |
| 8 2 x Kick Shade Clips | 17 Wireless Guitar Dongle      |
| 9 Kick Shade           | 18 Wireless Drum Dongle        |

Using your...  
**Hofner Beatles Bass**  
**WIRELESS GUITAR CONTROLLER**  
 for Wii™



**FOR LEFTIES...**

**TO REMOVE THE HEADSTOCK...**

Important USB information: The wireless USB dongle must be plugged directly into the Wii console. The additional USB port on the guitar's wireless USB dongle can only be used for wired peripherals and wireless drum peripherals.

Using your...

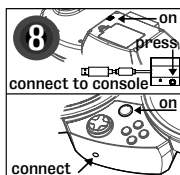
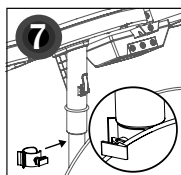
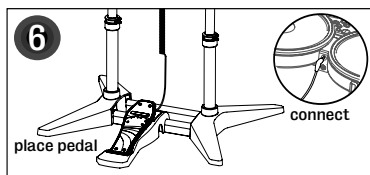
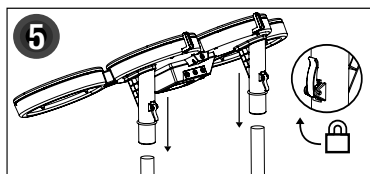
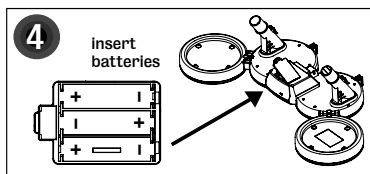
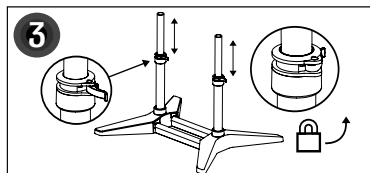
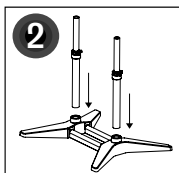
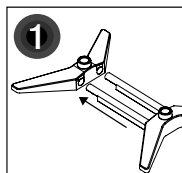
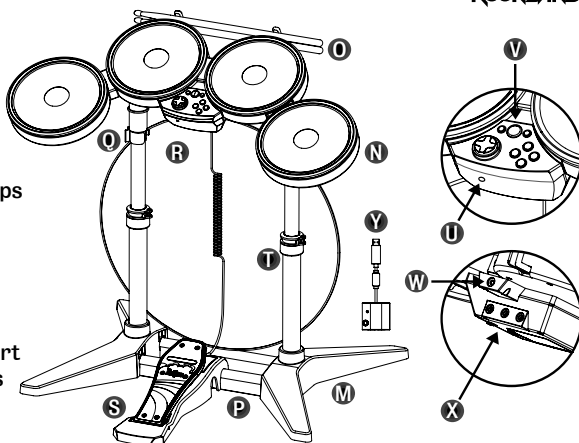
# Beatles

## WIRELESS DRUM CONTROLLER

for Wii™



- M** Base
- N** Drum Array
- O** Sticks
- P** Cross Bars
- Q** Kick ShadeClips
- R** Kick Shade
- S** Kick Pedal
- T** Legs
- U** SYNC
- V** Home
- W** Expansion Port
- X** Cymbal Ports
- Y** Drum Dongle





#### GENERAL

Problem: My Guitar or Drum Controller keeps disconnecting.

Solution 1: Ensure there are no 2.4 GHz wireless devices around that could potentially interfere with The Beatles: Rock Band Controllers. Common offending devices include cordless phones, Wi-Fi routers, and microwaves.

Solution 2: Make sure that the batteries are not jarring loose during play. A thin layer of duct tape, cardboard, or weather stripping foam on the inside of the battery door can help secure the batteries during insane solos/drum fills.

#### DRUMS

Problem: My Drum Controller pads aren't sensitive enough.

Solution: If you want to maximize hit recognition, aim for the center of the pads marked by the glossy black circle, where the drums are most sensitive.

Problem: I can't plug a second Kick Drum pedal directly into the Drum Controller.

Solution: Nope, you can't. The yellow, blue, and green colored jacks are expansion ports for cymbals, the orange jack is for the Kick Drum pedal, and the black jack (under the orange Kick pedal jack) is reserved for future use and does not function as a second Kick Drum pedal jack.

Problem: I don't want to break my Kick Drum pedal.

Solution: Don't stomp too hard: keep the ball of your foot on the orange line and your heel planted. While keeping your foot in that position, use your ankle to push the pedal down.

#### GUITARS

Problem: The auto-calibration feature on my Guitar Controller isn't working.

Solution 1: Please ensure you have fresh batteries in your Guitar Controller.

Solution 2: Calibration works best in a dark, silent room. If you have a surround sound setup, please ensure you are holding the Guitar Controller up to your center speaker during audio calibration, as the calibration tone will only be played by the center speaker.

Solution 3: Ensure that vibration is enabled on your profile:

Step 1: Plug the dongle into the console USB port.

Step 2: Put in batteries and flip the on/off switch to the "on" position.

Step 3: Turn on the console and load the game.

Step 4: Press the sync button on the Guitar or Drum Controller.

The Controller should now sync up with the already-searching dongle. The dongle and the LEDs on both Controllers will remain solid and the Controller will be able to navigate the main menu. If the Controller does not sync up initially, press the sync button on the dongle to reset the search sequence and then the sync button on the Controller to bind.

Problem: My Guitar Controller doesn't always engage Beatlemania when I want it to.

Solution: As an alternative to tilting the guitar, you can engage Beatlemania with any Rock Band, Rock Band 2 or The Beatles: Rock Band kick pedal. Just plug the pedal into the 3.5 mm jack on the bottom of your guitar controller and depress the pedal. This will engage Beatlemania without the need for you to tilt the guitar. Keep in mind that the pedal works in addition to the tilt sensor in your Guitar Controller and does not disable it.

Problem: I can't plug all my USB peripherals into the console.

Solution: Your Drum Controller dongle can be plugged into the pass-through USB port on the Guitar and Bass dongles. Note: you cannot plug a Guitar or Bass dongle into another Guitar or Bass dongle.

#### MICROPHONES

Problem: I can't make selections because there are no buttons on the Microphone.

Solution: In order to play the game, you need to use a Wii Remote in addition to your Microphone.

Problem: I am using multiple Microphones – how many Wii Remotes do I need?

Solution: If you want to sing with friends, you only need to use one Wii Remote for up to three Microphones.

## The Beatles: Rock Band

**IMPORTANT:** Before using The Beatles: Rock Band (the “software”) or the drum, guitar and/or microphone intended for use with the game (each, a “controller”) with the Wii™ Console, please read the Wii Console operations manual for safety, health, and all other information and instructions regarding the proper use of the Wii Console. All questions regarding the Wii Console should be directed to the manufacturer. For ease of reference, the term “game” shall refer collectively to the software and any and all controllers intended for use with the game.

**WARNING:** NO CHILD UNDER 36 MONTHS OF AGE SHOULD USE OR PLAY WITH THE GAME. Controllers should be kept out of reach of young children at all times. Controllers are suitable and intended only for use by adults and, if they are under strict adult supervision, for children who are at least 12 years of age.

**CAUTION:** Controllers must be handled and used with care to avoid injury. Controllers are to be used only where sufficient space is available to prevent injury (by contact with any controller or other player) or damage (including to personal property). There is a potential risk of epileptic attacks that may be caused by video games.

**CAUTION:** Please comply with ALL safety warnings and instructions. Any changes or modifications to the game or controllers that are not expressly approved by the manufacturer could void the user's authority to operate the game and/or the controllers and will void all game and hardware warranties.

Neither Electronic Arts nor its licensors will be liable for any injuries or damage resulting from the improper or unauthorized use of this game.

### Important Information about Safety and the Proper Care and operations of controllers:

- Do not modify, disassemble or attempt to open any controller.
- Do not expose any controller to extreme conditions, including direct sunlight and excessive humidity.
- Do not expose any controller to liquids.
- If cleaning is necessary, use a dry cloth to clean the affected area. Never use chemicals.
- If a controller causes interference to radio or television reception, (you can determine this by turning the controller off and on), the user is encouraged to try to correct the interference by one or more of the following measures:
  - (1) reorient or relocate the controller's receiving antenna, if applicable and/or
  - (2) increase the separation between the controller and the game console.

### Limited Controller Hardware Warranty:

Electronic Arts and its licensors warrant to the original purchaser of any controller that the controller has been designed and manufactured according to very stringent quality standards and is warranted to be free from defects in materials and workmanship beginning from the date of purchase for the minimum warranty period legally required where you, the original purchaser reside, but in any event not less than 60 days. If you are a resident of a Member country of the European Union, the minimum warranty period applicable to a controller from Electronic Arts and its licensors is two years. Under the warranty, if and as applicable to you, if the controller is found to be defective and you return it to us within the warranty period that applies to you, Electronic Arts will repair or replace the defective controller (or any defective component within the controller) at no charge to you. Other statutory rights you may have remain unaffected. This warranty is applicable to the original purchaser for the controller's normal intended use in accordance with the instructions provided. Any damage or defect resulting from abuse, improper use, neglect, accident, modification or misuse of the controller is not covered under and shall void the terms of this warranty. For more information please contact Electronic Arts at <http://www.rockband.com/warranty>

For service under the warranty, DO NOT return the game or any portion of the game (including guitars, drums, and microphones) to any retail store, even if that is where you originally purchased it. Retailers are NOT part of our authorized warranty support program. In the unlikely event you encounter a problem with any part of the game, please visit <http://www.rockband.com/warranty>. This website contains detailed instructions on how to take advantage of our warranty support program.

You understand that your rights as a consumer may vary depending on where you reside and the local laws and regulations that apply, and that some or all of your rights may be different or some rights or portions of the warranty may not apply to you. If you are unsure or have any questions about your rights, you should consult your own advisors or local consumer groups to determine the laws and regulations that may apply to you.

If you are a resident of Australia or New Zealand, certain exclusions from this warranty apply, including exclusions of terms, conditions, warranties and terms set forth herein or implied by statute, general law or custom of trade or usage, except for any "Non-excludable Condition" as that term is defined below and construed under the Australian Trade Practices Act 1974 ("TPA") or, in the case of consumers in New Zealand, the New Zealand Consumer Guarantees Act 1993 ("CGA"). Except for liability required by law or regulation in connection with any Non-excludable Condition, our liability to you for any act or omission, whether arising in contract or tort, including negligence, or otherwise in connection with the controller or our agreement is hereby disclaimed and excluded. For these purposes, "Non-excludable Condition" means any implied warranty, condition or guarantee the exclusion of which would contravene, in the case of Australian consumers, the TPA or, in the case of consumers in New Zealand, the CGA or in either case, that would cause all or any part of any exclusion or limitation of liability or remedy to be void. For any breach of a Non-excludable Condition (other than one implied by Section 69 of the TPA in Australia), your remedies are limited and, at our option, our liability is limited to either resupplying, replacing or repairing the controller or, at our option, paying the cost of doing any of these.

You may have certain rights as a consumer with respect to the merchant or retail establishment where you purchased this controller. The exclusions, restrictions, terms and conditions set forth herein do not affect or change the rights you may have under the laws that apply to your transaction(s) with such merchants or retail establishments.

#### Disclaimer of Other Warranties/Remedies:

If the game or any part thereof are damaged through modification, abuse, improper use, mistreatment, neglect or accident, any applicable warranty is rendered null and void and you will need to follow the instructions that apply for returns after the warranty period.

EXCEPT FOR THE EXPRESS LIMITED WARRANTIES SET FORTH ABOVE AND/OR TO THE EXTENT ANY PARTICULAR WARRANTIES OR RIGHTS MAY NOT BE DISCLAIMED OR LIMITED DUE TO THE LAWS AND REGULATIONS WHERE YOU RESIDE, ELECTRONIC ARTS AND ITS LICENSORS HEREBY DISCLAIM ALL WARRANTIES, WHETHER ORAL OR WRITTEN, EXPRESS OR IMPLIED, INCLUDING ANY WARRANTY OF MERCHANTABILITY OR FITNESS FOR A PARTICULAR PURPOSE. NO OTHER REPRESENTATION OR WARRANTY OF ANY NATURE OR KIND SHALL APPLY OR SHALL BE BINDING UPON OR OBLIGATE ELECTRONIC ARTS OR ITS LICENSORS.

If any warranties herein are incapable of being disclaimed because of the particular laws that apply to you, then such warranties applicable to this game are limited to the warranty period described above that applies to you. In no event will Electronic Arts or its licensors be liable for any special, incidental, or consequential damages resulting from possession, use or malfunction of the game, including, without limitation, any controller, game software or other part of the game, including damage to property, and to the extent permitted by law, damages for personal injury, even if Electronic Arts or its licensors have been advised of the possibility of such damages.

SOME JURISDICTIONS DO NOT ALLOW CERTAIN LIMITATIONS OF EXCLUSIONS, SO THE ABOVE LIMITATIONS AND/OR EXCLUSIONS MAY NOT APPLY TO YOU. IN EACH AND EVERY JURISDICTION, ELECTRONIC ARTS' AND/OR ITS LICENSORS' LIABILITY SHALL BE LIMITED AND THE EXCLUSIONS SHALL BE CONSTRUED TO APPLY TO THE FULLEST EXTENT PERMITTED BY LAW.

EU Declaration of Conformity: As required, certain of these controllers have been tested and conform to the requirements of the European Union Directives 1999/5/EC and 2004/106/EC. Authorized signatory of the manufacturer is Harmonix Music Systems, Inc., 625 Massachusetts Ave. Cambridge, Massachusetts 02139.

United States and Canada: As required, certain of these class B digital devices (the controllers) have been tested by Harmonix Music Systems, Inc., 625 Massachusetts Ave., Cambridge, Massachusetts 02139, 1-617-491-6144, and found to comply with part 15 of the FCC rules and the Canadian RSS-210 which sets forth limits designed to provide reasonable protection against harmful interference in a residential installation. These device(s) use, generate and can radiate radio frequency energy and, if not assembled, installed and used in accordance with the instructions, may cause harmful interference to radio communications. There is no guarantee that interference will not occur in any particular location or use. Operation is subject to the following two conditions: (1) this device may not cause harmful interference and (2) this device must accept any interference received, including interference that may cause undesired operation.

#### Exposure to Radio Frequency Radiation:

The radiated output power of the controller is well within FCC radio frequency exposure limits for this type of device when unaltered and used as described in our Instructions and the controller operates within guidelines found in radio frequency safety standards, which reflect the consensus of the scientific community and therefore, the manufacturer believes the device's internal wireless radio is safe for use by consumers. The level of energy emitted is far less than the electromagnetic energy emitted by wireless devices such as mobile phones. However, the use of wireless radios may be restricted in some situations (e.g., on airplanes). If you are unsure of restrictions that may apply in any situation, you must ask for authorization before turning on, connecting or using the controller.

#### Important Battery Information for Wireless Controllers:

- Use only fresh AA standard alkaline batteries.
- Replace all used batteries at the same time and with the same type of batteries.
- Be sure to replace the batteries correctly by matching the + and - as shown in the instruction manual and the controller's battery compartment. Never insert batteries backwards.
- If you know that you will not be using the controller for an extended period of time, we recommend that you remove the batteries.
- If you use rechargeable batteries that are permitted, use and recharge them only under adult supervision and only in accordance with the manufacturer's instructions.
- Never try to re-charge non-rechargeable batteries.
- Rechargeable batteries are to be removed from the controller before charging.
- Do not mix alkaline, standards (carbon-zinc), or rechargeable batteries.
- Do not mix old and new or different types of batteries.
- Remove exhausted batteries from the controller.
- Supply terminals are not to be short circuited.

#### Store and Dispose of Batteries and Electrical/Electronic Materials Properly

- Batteries may explode or leak or cause burn injury if recharged, disposed of in fire, mixed with a different battery type, inserted backwards or disassembled.
- Never store, put or throw batteries into a flame or in a heated place.
- Do not carry batteries in your pocket or purse.
- Do not remove the battery label.



- Check your local laws, contact the proper government authorities or look under the Government listings of your local area directory to see if there are any special battery disposal instructions or requirements that apply where you live. For rechargeable or other types of batteries, the manufacturer should provide proper disposal instructions and you should always read and follow the manufacturer's directions to avoid injury and damage and to comply with the laws and regulations protecting health, safety and the environment.

There have been some studies which are considered by some to raise questions about the potential health effects of electrical and electronic equipment and some of the hazardous substances they may contain. Always consult your own health care professionals who can advise you regarding your own health care needs in relation to use of the controller, batteries or other parts of the game.

- Consumers have a role to play in recycling. The waste bin symbol with a strike mark through it indicates you should not dispose of waste electrical/electronic equipment, including batteries, as municipal or routine waste. Handle their disposal or recycling separately and properly.
- If you are not sure how to properly dispose of or recycle any of these items, you may contact Electronic Arts at <http://www.rockband.com/warranty> or contact your local government officials for information in your area.

© 2009 Harmonix Music Systems, Inc. All Rights Reserved. The Beatles: Rock Band developed by Harmonix Music Systems, Inc. Harmonix, Rock Band and all related titles and logos are trademarks of Harmonix Music Systems, Inc., an MTV Networks company. MTV: Music Television, MTV Games and all related titles and logos are trademarks of MTV Networks, a division of Viacom International Inc. The Beatles and all related titles and logos are trademarks of Apple Corps Ltd. EA and the EA logo are trademarks or registered trademarks of Electronic Arts Inc. in the U.S. and/or other countries. 'Hofner' and the design of the Hofner bass guitar are the trademarks of KARL HÖFNER GmbH & Co. KG, Germany. All rights reserved. LUDWIG is a registered trademark of Conn-Selmer, Inc., and is used under license. All other marks are the property of their respective owners.

Trademarks are property of their respective owners. Wii is a trademark of Nintendo

This product and its use may be covered by U.S. Patent Number 7,320,643 and patent applications pending.

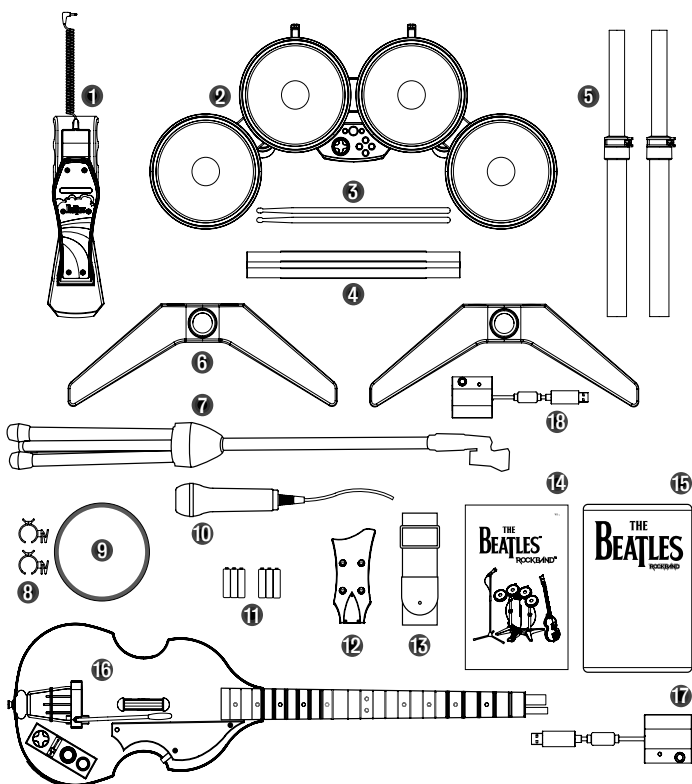
Controllers manufactured by:  
Harmonix Music Systems Inc.  
625 Massachusetts Avenue  
Cambridge, MA 02139  
United States of America

Controllers imported by:  
(North America)  
Electronic Arts Inc.  
209 Redwood Shores Parkway  
Redwood City, California 94065  
United States of America

(other territories)  
EA Swiss Sàrl  
Place du Molard 8  
1204 Geneva  
Switzerland

Contenus du pack...  
pour Wii™

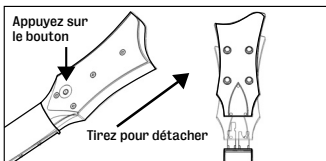
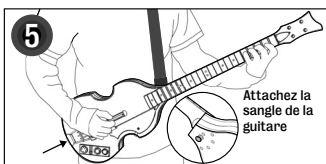
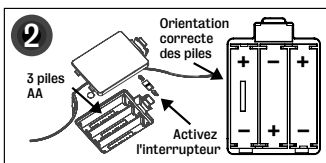
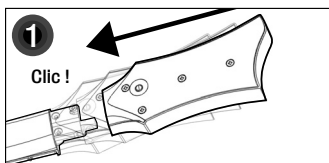
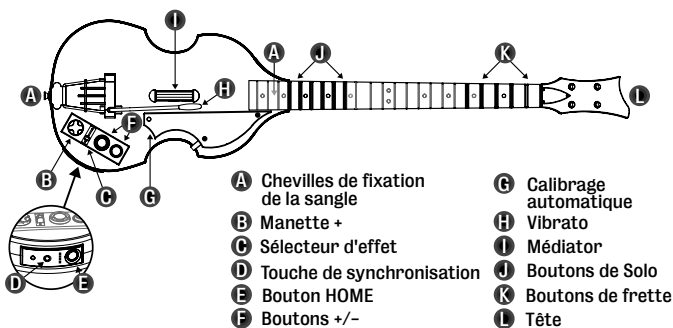
# THE BEATLES ROCKBAND



- |   |                                    |
|---|------------------------------------|
| ① Pédale de grosse caisse               | ⑩ Micro                            |
| ② Table de pads                         | ⑪ 2 x 3 piles AA                   |
| ③ 2 baguettes                           | ⑫ Tête                             |
| ④ 2 barres horizontales                 | ⑬ Sangle de la guitare             |
| ⑤ 2 pieds                               | ⑭ Manuel d'utilisation du matériel |
| ⑥ 2 bases                               | ⑮ Jeu The Beatles: Rock Band       |
| ⑦ Pied de micro                         | ⑯ Guitare sans fil                 |
| ⑧ 2 pinces de fixation de grosse caisse | ⑰ Dongle de la guitare sans fil    |
| ⑨ Grosse caisse                         | ⑱ Dongle de la batterie sans fil   |

Utilisation de la  
**GUITARE SANS FIL**  
 basse Höfner Beatles  
 pour Wii™

**THE**  
**BEATLES**  
 ROCKBAND



**POUR LES GAUCHERS**

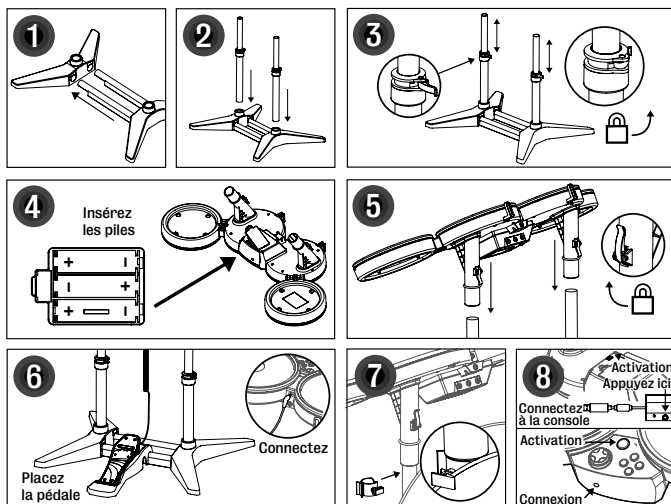
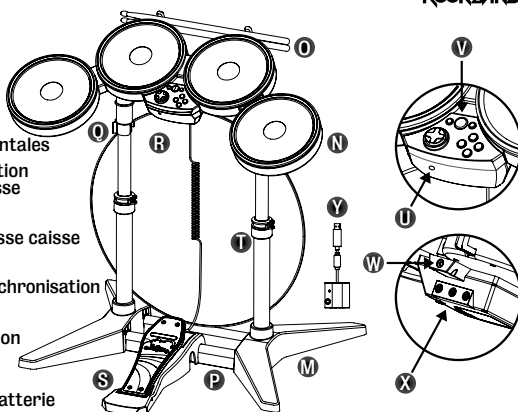
**POUR ENLEVER LA TÊTE**

Information USB importante : le dongle USB sans fil doit être connecté directement à la console Wii. Le port USB additionnel du dongle USB sans fil de la guitare peut uniquement être utilisé pour des périphériques filaires et la batterie sans fil.

Utilisation de la  
**BATTERIE SANS FIL**  
**Beatles**  
 pour Wii™

**THE**  
**BEATLES**  
 ROCKBAND

- M** Base
- N** Table de pads
- O** Baguettes
- P** Barres horizontales
- Q** Pincettes de fixation de grosse caisse
- R** Grosse caisse
- S** Pédale de grosse caisse
- T** Pieds
- U** Touche de synchronisation
- V** Bouton HOME
- W** Port d'extension
- X** Ports des cymbales
- Y** Dongle de la batterie



## FAQ sur le matériel pour Wii™



### GÉNÉRAL

Problème : ma guitare et ma batterie se déconnectent régulièrement.

Solution 1 : assurez-vous qu'aucun émetteur sans fil à 2,4 GHz n'interfère avec les manettes de The Beatles: Rock Band. Les appareils présentant des interférences potentielles incluent les téléphones sans fil, les routeurs Wi-Fi et les micro-ondes.

Solution 2 : assurez-vous que le compartiment des piles est correctement fixé. Si ce n'est pas le cas, fixez les piles à l'intérieur de leur compartiment en plaçant du scotch, du carton ou du plastique alvéolaire entre les piles et la porte de leur compartiment pour éviter qu'elles ne bougent pendant les solos les plus fous.

### BATTERIE

Problème : les pads de ma batterie ne sont pas assez sensibles.

Solution : si vous voulez maximiser la reconnaissance de vos coups de baguette, visez le centre des pads dans le cercle noir brillant. C'est l'endroit où les pads sont les plus sensibles.

Problème : je n'arrive pas à connecter une deuxième pédale sur ma batterie.

Solution : c'est normal, vous ne pouvez pas. Le jack jaune, le jack bleu et le jack vert sont les ports d'extension des cymbales, le jack orange est destiné à la pédale de grosse caisse et le jack noir (situé sous le jack orange de la pédale) est réservé à une caractéristique future de la batterie. Le jack noir ne peut pas accueillir de deuxième pédale de grosse caisse.

Problème : j'ai peur de casser la pédale de ma batterie.

Solution : n'appuyez pas trop fort sur la pédale. Placez la pointe de votre pied sur la ligne orange et votre talon sur la base de la pédale. En maintenant votre pied dans cette position, utilisez votre cheville pour pousser la pédale vers le bas.

### GUIТАRE

Problème : la fonction de calibrage automatique de ma guitare ne fonctionne pas.

Solution 1 : veuillez vous assurer d'avoir placé des piles chargées dans le compartiment à piles de votre guitare.

Solution 2 : le calibrage fonctionne mieux dans une pièce silencieuse à luminosité réduite. Si vous disposez d'un système de son surround, veuillez vous assurer de tenir votre guitare près du haut-parleur central pendant la procédure de calibrage automatique, car le signal de calibrage utilise exclusivement le haut-parleur central.

Solution 3 : assurez-vous de bien avoir activé la fonction de vibration sur votre profil.

Étape 1 : branchez le dongle directement dans le port USB de votre console.

Étape 2 : insérez les piles et placez l'interrupteur sur "on".

Étape 3 : allumez la console et chargez le jeu.

Étape 4 : appuyez sur le bouton de synchronisation de la guitare ou de la batterie.

La manette devrait maintenant se synchroniser avec le dongle en cours de recherche. Le dongle et les LED des deux manettes arrêteront ensuite de clignoter et vous pourrez naviguer dans les menus. Si la manette ne se synchronise pas immédiatement, appuyez sur le bouton de synchronisation sur le dongle afin de réinitialiser la procédure de recherche, puis appuyez sur le bouton de synchronisation de la manette pour lier les deux appareils.

Problème : ma guitare ne parvient pas toujours à activer la Beatlemania.

Solution : au lieu de lever la guitare, vous pouvez également activer la Beatlemania avec n'importe quelle pédale de grosse caisse de Rock Band, Rock Band 2 ou de The Beatles: Rock Band.

Branchez simplement la pédale directement dans le jack de 3,5 mm situé en bas de votre guitare puis appuyez sur la pédale au moment désiré. Vous activez alors la Beatlemania sans avoir besoin de lever votre guitare. N'oubliez pas que la pédale fonctionne conjointement au capteur d'inclinaison de votre guitare et ne le désactive pas, vous pouvez donc activer la Beatlemania de deux façons.

Problème : je n'arrive pas à brancher tous mes périphériques USB sur ma console.

Solution : le dongle de votre batterie peut être branché directement sur le port USB supplémentaire du dongle de votre guitare ou de votre basse. Remarque : vous ne pouvez pas brancher un dongle de guitare ou de basse dans un autre dongle de guitare ou de basse.

### MICRO

Problème : je n'arrive pas à naviguer dans les menus car le micro ne comporte aucun bouton de sélection.

Solution : pour jouer, vous devez utiliser une télécommande Wii en plus de votre micro.

Problème : si j'utilise plusieurs micros, de combien de télécommandes Wii ai-je besoin ?

Solution : pour chanter avec des amis, une seule télécommande Wii suffit pour utiliser jusqu'à trois micros.



### The Beatles: Rock Band

**IMPORTANT :** avant d'utiliser The Beatles: Rock Band (ci-après le "logiciel") ou la guitare, la batterie et/ou le microphone conçus pour le logiciel (ci-après la "manette" ou l'"appareil") avec la console Wii<sup>®</sup>, veuillez lire le mode d'emploi de la console Wii<sup>®</sup> pour obtenir, entre autres, des informations sur la sécurité et la santé. Pour toute question relative à la console Wii<sup>®</sup>, adressez-vous au constructeur. Dans ce document, le terme "Jeu" désigne à la fois le logiciel et les manettes.

**ATTENTION :** CE JEU NE CONVIENT PAS AUX ENFANTS DE MOINS DE 36 MOIS. Ne laissez pas les manettes à la portée de jeunes enfants. Les manettes sont adaptées et ont été conçues pour des adultes et, s'ils sont surveillés par un adulte, pour des enfants de 12 ans et plus.

**AVERTISSEMENT :** les manettes doivent être maniées et utilisées avec précaution pour éviter toute blessure (en cas de contact avec une autre manette ou un autre joueur) ou dommages (incluant notamment des biens personnels). Certaines personnes sont susceptibles de faire des crises d'épilepsie lors de l'utilisation de Jeux vidéo.

**AVERTISSEMENT :** veuillez vous conformer à TOUS les avertissements et instructions de sécurité. Les changements et modifications apportés au logiciel ou aux manettes n'ayant pas été expressément approuvés par le fabricant peuvent entraîner l'interdiction pour l'utilisateur de se servir du logiciel et/ou des manettes et la nullité de toutes les garanties matérielles.

Electronic Arts ou ses concédants ne peuvent être tenus responsables des blessures ou dommages résultant d'une utilisation inappropriée de ce jeu.

#### **Informations importantes concernant la sécurité et l'utilisation/l'entretien des manettes :**

- Ne pas modifier, désassembler ou tenter d'ouvrir les manettes.
- Ne pas exposer les manettes à des conditions extrêmes, y compris la lumière du soleil et une humidité excessive.
- Ne pas exposer les manettes à l'eau ou à d'autres liquides.
- Si un nettoyage est nécessaire, utiliser un chiffon sec pour nettoyer la zone sale. Ne jamais utiliser de produits chimiques.
- Si une manette provoque des interférences avec la réception de votre téléviseur ou de votre radio (vous pouvez vous en assurer en éteignant et en rallumant votre manette), tentez de corriger ces interférences en suivant une ou plusieurs des indications suivantes :

- (1) réorientez ou déplacez l'antenne de réception de la manette, le cas échéant, et/ou éloignez la manette de la console de jeu.

#### **Limitation de garantie du matériel (manette) :**

Electronic Arts et ses concédants de licence garantissent à l'acquéreur original de toute manette que la manette a été conçue et fabriquée conformément à des normes de qualité extrêmement rigoureuses et qu'elle est garantie exempte de tout défaut matériel ou de fabrication à partir de la date de livraison, pendant la période de garantie légale minimum requise dans le pays où réside l'acquéreur original pour ce type de produits, ne pouvant pas être inférieure à 60 jours. Si vous résidez dans l'un des pays membres de l'Union Européenne, la période de garantie minimum par Electronic Arts et ses concédants de licence s'appliquant à ce produit est de deux ans. Le cas échéant, si la manette se révèle défectueuse et que vous nous la retournez pendant la période de garantie qui s'applique à votre pays, Electronic Arts réparera ou remplacera la manette défectueuse (ou tout composant défectueux dans la manette), sans frais pour le consommateur. La garantie ne remet pas en cause vos droits prévus par la loi. Cette garantie est valable pour l'acquéreur original, dans le cadre de l'utilisation prévue par les instructions fournies. Tout dommage ou défaut résultant d'une mauvaise utilisation, de négligence, d'un accident, de la modification ou d'une utilisation abusive de la manette n'est pas couvert et annule les termes de la présente garantie. Pour plus d'informations, veuillez contacter Electronic Arts à l'adresse <http://www.rockband.com/warranty>.

Pour toute intervention dans le cadre de la garantie fournie par Electronic Arts et ses concédants, comme décrit ci-dessus, veuillez NE PAS retourner le jeu ou l'un de ses composants (incluant les guitares, batteries et micros) à un revendeur, même si c'est à lui que vous avez acheté le jeu. Les revendeurs ne font PAS partie de notre programme de support de garantie. Si vous rencontrez des problèmes avec le jeu ou l'un de ses composants, rendez-vous sur le site <http://www.rockband.com/warranty>. Ce site Internet contient des instructions détaillées sur les avantages de notre programme de support de garantie.

En tant que consommateur, vous comprenez que vos droits peuvent varier en fonction de votre pays de résidence et que certains de tous vos droits peuvent être différents ou ne pas s'appliquer, selon votre lieu de résidence et les lois et réglementations qui s'y appliquent. Pour toute information ou question sur vos droits, consultez vos propres représentants légaux pour déterminer les lois et réglementations qui s'appliquent à vous.

Si vous résidez en Australie ou en Nouvelle-Zélande, certaines exclusions de garantie peuvent s'appliquer, dont des exclusions relatives aux conditions, garanties et termes implicites de caractère propre à la commercialisation, d'adéquation à un usage particulier ou de non infraction, ou l'exception de toute condition "non exclusive" comme expliqué ci-dessous et défini dans le Trade Practices Act australien de 1974 ("TPA") ou, dans le cas des consommateurs néo-zélandais, du Consumer Guarantees Act néo-zélandais de 1993 ("CGA"). Excepté la responsabilité requise par la loi ou la réglementation en respect de toute condition non exclusive, notre responsabilité envers le consommateur pour tout acte ou omission, que ce soit dans le cadre du contrat ou d'un délit, incluant la négligence ou autre, en connexion avec la manette ou avec notre accord est rejetée et exclue par la présente. À cet effet, la "condition non exclusive" comprend toute garantie implicite, condition ou garantie dont l'exclusion viendrait à l'encontre, dans le cas des consommateurs australiens, du TPA ou, dans le cas des consommateurs néo-zélandais, du CGA ou dans les deux cas, qui causerait la nullité de tout ou partie de quelque exclusion ou limitation que ce soit des engagements ou recours. Pour toute rupture d'une condition non exclusive (autre que celle impliquée par la section 69 du TPA en Australie), vos recours sont limités et notre engagement se limite, à notre discrétion, à fournir, remplacer ou réparer la manette (ou à payer, à notre discrétion, le coût de ces actions).

Vous pouvez avoir certains droits en tant que consommateur par rapport au marchand ou au magasin auquel vous avez acheté la manette. Ces présentes exclusions et restrictions ou conditions générales de vente n'affectent pas ou ne modifient pas vos droits selon les lois qui s'appliquent dans le cadre d'un achat ou d'une transaction avec ce marchand ou ce magasin.

Exclusion des autres garanties et recours : si le jeu ou l'un de ses composants sont endommagés suite à une modification, un abus, un mauvais usage, une négligence ou un accident, la garantie applicable deviendra nulle et non avenue, et vous devrez suivre les instructions qui s'appliquent pour les retours sortant du cadre de la garantie.

À L'EXCEPTION DES LIMITATIONS DE GARANTIES EXPRESSÉMENT INDIQUÉES ET/OU DANS LE CADRE DE TOUT DROIT SPÉCIFIQUE ET/OU GARANTIE PARTICULIÈRE NE POUVANT ÊTRE REJETÉES OU LIMITÉES SELON LES LOIS ET RÉGLEMENTATIONS DE VOTRE LIEU DE RÉSIDENCE, ELECTRONIC ARTS ET SES CONCÉDANTS REJETENT PAR LA PRÉSENTE TOUTES GARANTIES, ORALES OU ÉCRITES, EXPLICITES OU TACITES, Y COMPRIS CELLES DE QUALITÉ MARCHANDE OU D'ADAPATION À UN USAGE PARTICULIER, AUCUNE AUTRE REPRÉSENTATION OU GARANTIE DE QUELQUE NATURE QUE CE SOIT NE PEUT S'APPLIQUER À, CONTRAINDRE OU OBLIGER ELECTRONIC ARTS ET SES CONCÉDANTS.

Si l'une des présentes garanties ne peut être rejetée en raison des lois particulières qui s'appliquent au consommateur, alors les garanties qui s'appliquent au jeu se limitent à la période de garantie décrite ci-dessus s'appliquant au consommateur. En aucun cas, Electronic Arts et ses concédants ne peuvent être tenus responsables de dommages spéciaux, consécutifs ou indirects résultant de la possession, de l'utilisation ou du mauvais fonctionnement du jeu (incluant sans s'y limiter les manettes et le logiciel ou tout autre composant), y compris les dégâts matériels, et dans la mesure où la loi le permet, les dommages corporels, même si Electronic Arts et ses concédants ont été avertis de la possibilité de tels dommages.

IL SE PEUT QUE LA LÉGISLATION EN VIGUEUR INTERDISE L'EXCLUSION OU LA LIMITATION DES GARANTIES. DE CE FAIT, VOUS POUVEZ NE PAS TOMBER SOUS LE COUP DE CES EXCLUSIONS OU LIMITATIONS. DANS CHACUNE DE CES JURIDICTIONS, LA RESPONSABILITÉ D'ELECTRONIC ARTS ET/OU SES CONCÉDANTS EST LIMITÉE ET LES EXCLUSIONS INTERPRÉTÉES POUR S'APPLIQUER DANS LA MESURE OÙ LA LOI LE PERMET.

Déclaration de conformité UE : cet appareil a été testé et est conforme aux exigences des directives de l'Union Européenne 1999/5/EC et 2004/106/EC. Signataire autorisé par le fabricant : Harmonix Music Systems, Inc., 825 Massachusetts Ave., Cambridge, Massachusetts 02139.

États-Unis et Canada : cet appareil numérique de classe B (manette(s) a été testé par Harmonix Music Systems, Inc., 825 Massachusetts Ave., Cambridge, Massachusetts 02139, 1-617-491-6144, et est conforme à l'article 15 des règles de la FCC et à la norme ICES-005 du Canada exposant les limites conçues pour fournir une protection raisonnable contre les risques d'interférences nuisibles avec les installations domestiques. Cet appareil utilise, génère et peut émettre des fréquences radio qui, s'il n'est pas installé et utilisé conformément aux instructions, peuvent causer des interférences nuisibles avec les communications radio. Cependant, il n'existe aucune garantie que des interférences ne surviendront pas dans un endroit particulier ou pour une utilisation particulière. Le fonctionnement est soumis aux deux conditions suivantes : (1) cet appareil ne doit pas causer d'interférences nuisibles et (2) cet appareil doit accepter toutes les interférences reçues, y compris les interférences pouvant causer des opérations indésirables.

#### Exposition aux émissions de fréquences radio :

la puissance des radiations émises par la manette se trouve dans les limites d'expositions aux fréquences radio imposées par la FCC, lorsque l'appareil n'est pas altéré et qu'il est utilisé conformément aux instructions. De plus, la manette fonctionne selon les directives concernant les normes de sécurité sur les fréquences radio selon la communauté scientifique. Le fabricant pense donc raisonnablement que les ondes sans fil de l'appareil sont sans danger pour les consommateurs. Le niveau d'énergie émis est bien moins important que l'énergie électromagnétique émise par des appareils sans fil comme les téléphones portables. Cependant, l'utilisation d'ondes sans fil peut être restreinte dans certaines situations (dans les avions, par exemple). Si vous ne connaissez pas les restrictions qui peuvent s'appliquer dans certaines situations, demandez l'autorisation avant d'allumer, connecter ou utiliser la manette.

#### Informations importantes sur les piles des manettes sans fil :

- Utilisez uniquement des piles alcalines AA classiques.
- Remplacez toutes les piles en même temps et ne mélangez pas les types de piles.
- Les bornes positives (+) et négatives (-) de vos piles doivent être orientées dans la bonne direction, comme indiqué dans le manuel d'utilisation et dans le compartiment à piles de la manette. Ne placez jamais les piles à l'envers.
- Ne laissez pas les piles dans la manette pendant une période d'inutilisation prolongée.
- Si vous utilisez des piles rechargeables autorisées, utilisez-les et rechargez-les sous la surveillance d'un adulte et selon les instructions du fabricant.
- N'essayez jamais de recharger des piles non rechargeables.
- Retirez les piles rechargeables de la manette avant de les recharger.
- Ne mélangez pas des piles alcalines, standard (pille Leclanche) et rechargeables.
- Ne mélangez pas les piles alcalines usagées et neuves, ou des piles de différents types.
- Retirez rapidement des manettes toute pile épuisée.
- Ne court-circuitez pas les points d'échange.

**Conserver et jeter correctement ses piles et ses appareils électriques/électroniques :**

- Les piles peuvent exploser ou fuir et causer des brûlures, si elles sont rechargées, jetées dans le feu, mélangées à un autre type de piles, insérées à l'envers et démontées.
- Ne placez jamais vos piles près d'une flamme ou d'une source de chaleur. Ne jetez jamais vos piles dans le feu.
- Ne transportez pas vos piles dans une poche ou un porte-monnaie.
- N'enlevez pas l'étiquette de la pile.



- Vérifiez les réglementations locales ou contactez les autorités gouvernementales appropriées pour connaître les instructions spécifiques concernant le recyclage des piles dans votre lieu de résidence. Pour les piles rechargeables et les autres types de piles, le fabricant doit fournir des instructions de recyclage appropriées. Lisez et suivez les indications du fabricant pour éviter les blessures et dommages et pour être en conformité avec les lois et réglementations régissant la santé, la sécurité et l'environnement.

Certaines études soulèvent des interrogations sur les risques sanitaires potentiellement liés à l'utilisation d'appareils électriques et électroniques et des substances dangereuses qu'ils peuvent contenir. Au besoin, veuillez consulter votre médecin pour obtenir des conseils vis-à-vis de l'utilisation de la guitare sans fil.

- Les consommateurs jouent un rôle important dans le recyclage. Le symbole de la poubelle barrée signifie que vous ne devez pas vous débarrasser de vos équipements électriques/électroniques usagés, y compris les piles, comme des déchets classiques. Collectez-les et jetez-les séparément.
- Pour savoir comment se débarrasser d'un de ces objets ou le recycler correctement, veuillez contacter Electronic Arts sur le site <http://www.rockband.com/warranty> ou votre mairie pour obtenir des informations locales.

© 2009 Harmonix Music Systems, Inc. Tous droits réservés. The Beatles: Rock Band est développé par Harmonix Music Systems, Inc. Harmonix, Rock Band et tous les titres et logos associés sont des marques commerciales d'Harmonix Music Systems, Inc., une société MTV Networks. MTV: Music Television, MTV Games et tous les titres et logos associés sont des marques commerciales de MTV Networks, une division de Viacom International Inc. Les Beatles et tous les titres et logos associés sont des marques commerciales d'Apple Corp Ltd. EA et le logo EA sont des marques commerciales ou des marques déposées d'Electronic Arts Inc. aux États-Unis et/ou dans d'autres pays. Hofner et le design de la basse Hofner sont des marques commerciales de KARL HÖFNER GmbH & Co. KG, Allemagne Tous droits réservés. LUDWIG est une marque déposée de Conn-Selmer, Inc. utilisée sous licence. Toutes les autres marques appartiennent à leurs propriétaires respectifs.

Les marques sont la propriété de leurs propriétaires respectifs. Wii est une marque de Nintendo.

Ce produit et son utilisation sont couverts par le brevet américain n°7 320 643. Les autres brevets sont en attente.

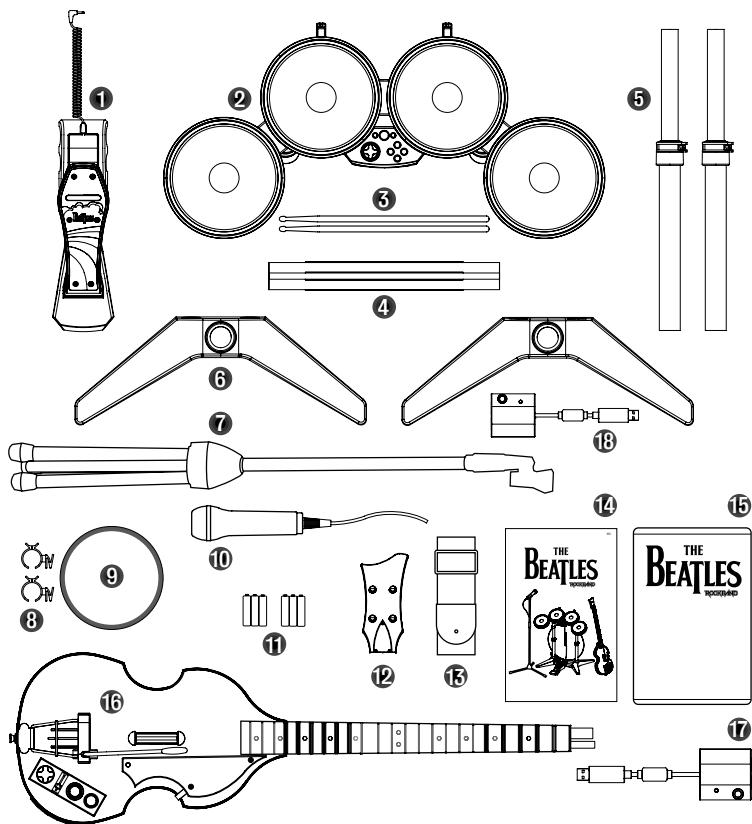
Manettes fabriquées par :  
Harmonix Music Systems Inc.  
625 Massachusetts Avenue  
Cambridge, MA 02139  
États-Unis

Manettes importées par :  
(Amérique du Nord)  
Electronic Arts Inc.  
209 Redwood Shores Parkway  
Redwood City, California 94065  
États-Unis

(Autres territoires)  
EA Swiss Sàrl  
8 Place du Molard  
1204 Genève  
Suisse

Contenuto...  
Per Wii™

# THE BEATLES ROCKBAND



- |                             |                                 |
|-----------------------------|---------------------------------|
| ① Pedale                    | ⑩ Microfono                     |
| ② Struttura batteria        | ⑪ 2 set di 3 batterie tipo AA   |
| ③ 2 bacchette               | ⑫ Paletta                       |
| ④ 2 traverse                | ⑬ Tracolla controller chitarra  |
| ⑤ 2 gambe                   | ⑭ Manuale hardware              |
| ⑥ 2 basi                    | ⑮ Gioco The Beatles: Rock Band  |
| ⑦ Asta per microfono        | ⑯ Controller chitarra wireless  |
| ⑧ 2 ganci per blocco pedale | ⑰ Controller chitarra wireless  |
| ⑨ Blocco pedale             | ⑱ Dispositivo wireless batteria |

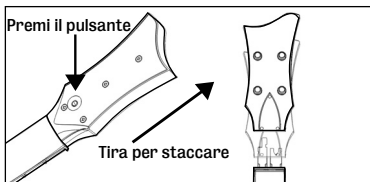
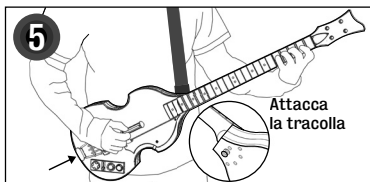
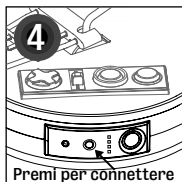
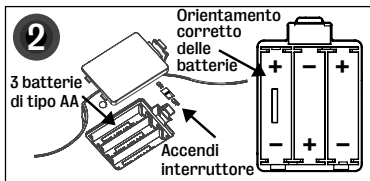
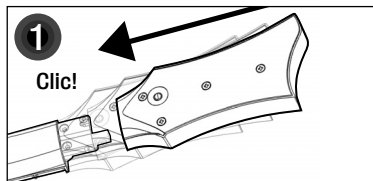
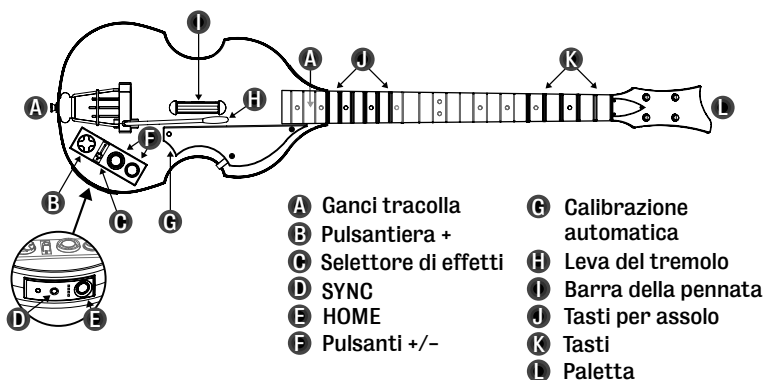
Utilizzare il...

# CONTROLLER CHITARRA WIRELESS

basso Höfner Beatles

Per Wii™

THE  
**BEATLES**  
ROCKBAND



## PER I MANCINI...

## PER RIMUOVERE LA PALETTA...

Importante informazione USB: il dispositivo wireless USB deve essere inserito direttamente nella console Wii. La porta USB aggiuntiva presente sul dispositivo wireless USB deve essere usata solo per ulteriori periferiche con cavo o con la batteria wireless.

Utilizzare il...

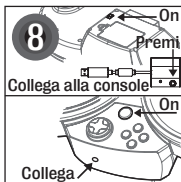
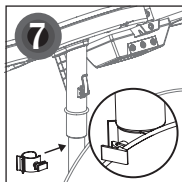
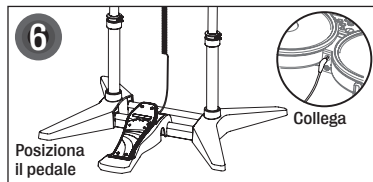
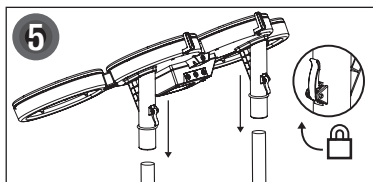
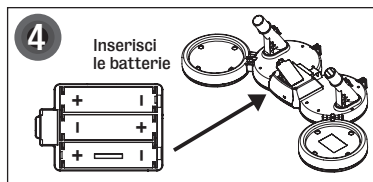
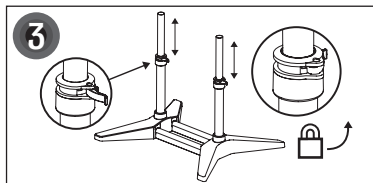
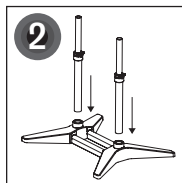
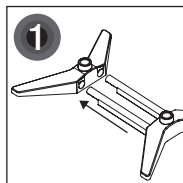
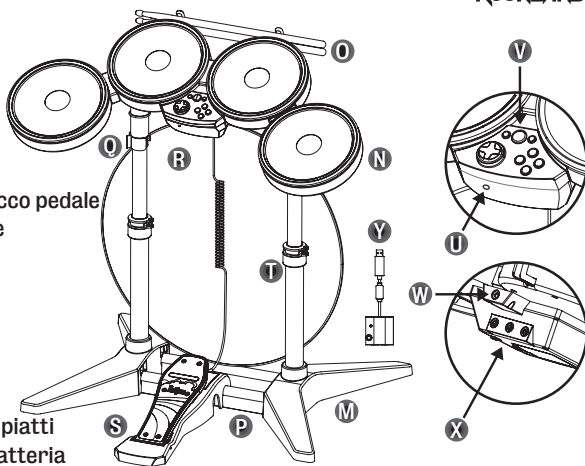
# CONTROLLER BATTERIA WIRELESS

# THE BEATLES ROCKBAND

## Beatles

Per Wii™

- M** Base
- N** Struttura batteria
- O** Bacchette
- P** Traverse
- Q** Ganci per blocco pedale
- R** Blocco pedale
- S** Pedale
- T** Gambe
- U** SYNC
- V** HOME
- W** Ingresso per espansione
- X** Ingresso per piatti
- Y** Dispositivo batteria



#### GENERALI

Problema: il controller continua a scollegarsi.

Soluzione 1: assicurati che non ci siano altri dispositivi wireless da 2,4 GHz nelle vicinanze.

Potrebbero interferire con i controller di The Beatles: Rock Band. I più comuni dispositivi che possono causare interferenze sono telefoni cordless, router Wi-Fi e forni a microonde.

Soluzione 2: assicurati che le batterie siano ben alloggiare durante la partita. Un sottile strato di nastro adesivo o del cartoncino possono rivelarsi utili per assicurare il coperchio batterie durante gli assoli o i fill più sfrenati.

#### BATTERIA

Problema: i tamburi della batteria non sono abbastanza sensibili.

Soluzione: se vuoi massimizzare la sensibilità dei tamburi, mira al centro dov'è presente un cerchio nero, è il punto più sensibile del tamburo.

Problema: non riesco a collegare un secondo pedale alla batteria.

Soluzione: non puoi farlo. Gli ingressi giallo, blu e verde sono ingressi di espansione per i piatti, l'ingresso arancione è per il pedale e quello nero (sotto l'ingresso del pedale) sarà utilizzato in futuro e non funziona come ingresso per un secondo pedale.

Problema: non voglio rompere il pedale.

Soluzione: non premerlo con troppa forza. Tieni fermo il tallone e appoggia la pianta sulla linea arancione. Tenendo il piede in questa posizione, usa la caviglia per premere il pedale.

#### CHITARRE

Problema: la calibrazione automatica del controller non funziona.

Soluzione 1: assicurati che le batterie nel controller siano cariche.

Soluzione 2: la calibrazione funziona meglio in una stanza buia e silenziosa. Se hai un sistema surround assicurati di tenere il controller davanti all'altoparlante centrale durante la calibrazione audio, dato che il tono di calibrazione verrà dall'altoparlante centrale.

Soluzione 3: assicurati che la vibrazione sia attivata.

Passo 1: inserisci il dispositivo nella porta USB della console.

Passo 2: inserisci le batterie e sposta l'interruttore su "On".

Passo 3: accendi la console e carica il gioco.

Passo 4: premi il pulsante SYNC. sulla chitarra o sulla batteria.

Il controller dovrebbe ora sincronizzarsi con il dispositivo. Il LED luminoso sul dispositivo e sul controller smetteranno di lampeggiare e ti sarà possibile utilizzare il controller per navigare nel menu principale. Se inizialmente il controller non dovesse sincronizzarsi, premi il pulsante di sincronizzazione sul dispositivo per reimpostare la sequenza di ricerca e premi anche il pulsante SYNC. sul controller.

Problema: il controller chitarra non attiva la Beatlemania quando cerco di utilizzarla.

Soluzione: oltre a inclinare la chitarra, puoi scatenare la Beatlemania con qualsiasi pedale per batteria di Rock Band, Rock Band 2 o The Beatles: Rock Band. Basta collegare il pedale all'ingresso da 3,5 mm che si trova sul fondo della chitarra e premerlo. Così potrai utilizzare la Beatlemania senza dover inclinare la chitarra. Ma ricorda che il pedale lavorerà insieme al sensore del controller chitarra, senza disattivarlo.

Problema: non riesco a collegare tutte le periferiche USB alla console.

Soluzione: il dispositivo USB per batteria può essere collegato alla porta USB che si trova sui dispositivi per chitarra e basso. Nota: non puoi collegare due dispositivi per chitarra o basso uno sull'altro.

#### MICROFONI

Problema: non posso eseguire alcuna selezione perché sul microfono non ci sono pulsanti.

Soluzione: per giocare avrai bisogno di un telecomando Wii oltre al microfono.

Problema: utilizzo più di un microfono, quanti telecomando Wii mi servono per giocare?

Soluzione: se vuoi cantare con degli amici, avrai bisogno di un solo telecomando Wii e potrai gestire fino a tre microfoni.

## The Beatles: Rock Band

**IMPORTANTE:** prima di utilizzare The Beatles: Rock Band (il "software") o la batteria, la chitarra o il microfono da utilizzare con il gioco (il "controller") con la console Wii™, consulta il manuale di istruzioni della console per informazioni importanti su salute e sicurezza relative all'utilizzo della console Wii. Tutte le domande che riguardano la console Wii devono essere indirizzate al produttore. Per facilità, il termine "gioco" fa riferimento all'insieme costituito dai software e dai controller da utilizzare con il gioco.

**ATTENZIONE:** TIENI IL GIOCO LONTANO DALLA PORTATA DEI BAMBINI DI ETÀ INFERIORE AI 3 ANNI. L'utilizzo di questi controller è indicato per gli adulti e, solo con la supervisione da parte di un adulto, per i bambini di almeno 12 anni di età.

**ATTENZIONE:** utilizza i controller con attenzione per evitare incidenti. Utilizza i controller in luoghi abbastanza spaziosi per evitare danni (per non colpire altri controller o persone) e incidenti (anche a oggetti di proprietà privata). Esiste un potenziale rischio di attacchi epilettici causati dall'utilizzo di videogiochi.

**ATTENZIONE:** attieniti a TUTTE le precauzioni e istruzioni d'uso. Qualsiasi modifica al gioco o ai controller non espressamente approvata dal produttore potrebbe annullare l'autorizzazione dell'utente a utilizzare il gioco e/o i controller e tutte le relative garanzie.

Electronic Arts o i suoi licenziatari non potranno essere ritenuti responsabili di eventuali danni dovuti all'uso improprio o non autorizzato del gioco.

### Informazioni importanti sulla sicurezza e sull'utilizzo dei controller:

- Non modificare, smontare o tentare di aprire i controller.
- Non esporre i controller a condizioni estreme, inclusa la luce diretta del sole e un'eccessiva umidità.
- Evita che i controller vengano a contatto con i liquidi.
- Se necessario, pulisci il controller utilizzando un panno asciutto sulla zona interessata. Non usare prodotti chimici.
- Qualora un controller dovesse essere causa di interferenze alla ricezione radio o televisiva, (cosa che può essere verificata accendendo e spegnendo il controller), l'utente dovrebbe cercare di correggere tale interferenza seguendo uno dei seguenti metodi:

- (1) riorienta o sposta l'antenna di ricezione del controller (se disponibile) e/o
- (2) aumenta la distanza fra il controller e il sistema.

### Garanzia limitata sugli apparecchi hardware:

Electronic Arts e i suoi concessionari di licenza garantiscono all'acquirente originale di qualsiasi controller che il controller è stato progettato e costruito seguendo standard qualitativi rigorosi ed è esente da difetti nei materiali e nella lavorazione a partire dalla data di consegna (il periodo minimo previsto dalla legge del paese di residenza dell'acquirente originale per prodotti assimilabili al controller). Tale periodo non può essere comunque inferiore a 60 giorni. Per i residenti in uno dei paesi membri della Comunità Europea, il periodo di garanzia minimo applicabile a questo prodotto da parte di Electronic Arts e dei suoi concessionari di licenza è di due anni. Se il controller dovesse presentare problemi durante il periodo di garanzia, laddove applicabile, Electronic Arts provvederà a riparare o a sostituire il controller difettoso (o qualsiasi suo componente difettoso), senza alcuna spesa aggiuntiva. Gli altri eventuali diritti statutari rimangono inalterati. Questa garanzia si applica all'acquirente originale in caso di utilizzo normale del controller, secondo quanto riportato nelle istruzioni fornite. Qualsiasi danno o difetto dovuto a trattamento scorretto, utilizzo improprio, negligenza, uso accidentale, modifiche o utilizzo diverso dalla destinazione d'uso del controller non è coperto dalla garanzia e ne annullerà la validità. Per maggiori informazioni, contatta Electronic Arts all'indirizzo <http://www.rockband.com/warranty>.

Per avvalersi del servizio di assistenza di cui sopra, NON restituire i controller di Rock Band (incluse chitarre, batterie e microfoni) ai negozi dove sono stati acquistati. Se si verifica un problema con una qualsiasi parte del gioco, visita il sito <http://www.rockband.com/warranty>. Questo sito contiene istruzioni dettagliate su come avvalersi del nostro programma di assistenza e garanzia.

Accetti il fatto che i tuoi diritti in qualità di consumatore possono variare o potrebbero non essere applicabili, nella loro interezza o in parte, in base alle leggi e alle norme del tuo paese di residenza. Se hai dubbi o domande sui tuoi diritti, rivolgiti al tuo comune di residenza per conoscere le leggi e le norme applicabili nel tuo caso.



I residenti in Australia o in Nuova Zelanda sono esclusi da questa garanzia, dai termini e dalle condizioni dell'accordo, da tutte le condizioni, le garanzie e i termini impliciti stabiliti dalla legge, da leggi generiche o personali sul commercio o l'utilizzo del prodotto. Fanno eccezione tutte le condizioni non-escludibili. La nostra responsabilità nei tuoi confronti, a parte quella stabilita dalla legge e dalle norme per il rispetto di qualsiasi condizione non-escludibile, per qualsiasi atto od omissione, sia di natura contrattuale o a torto, inclusa la negligenza, o altrimenti legata all'apparecchio o al nostro accordo, viene quindi smentita ed esclusa. A tal proposito, con l'espressione "condizione non-escludibile" si intende ogni garanzia, implicita ed esplicita, o condizione la cui esclusione contravverrebbe, nel caso dei consumatori australiani, l'Australian Trade Practices Act 1974 ("TPA") o, nel caso dei consumatori neozelandesi, il New Zealand Consumer Guarantees Act 1995 ("CGA") o in ogni caso che annullerebbe tutte (o in parte) le esclusioni o le limitazioni di responsabilità o azioni legali. In caso di violazione di una qualsiasi condizione non-escludibile (oltre a quella indicata nella Sezione 69 del TPA in Australia), le azioni legali a tua disposizione sono limitate e la nostra responsabilità si limita (a nostra discrezione) a riformare, sostituire o riparare l'apparecchio (o, sempre a nostra discrezione, a risarcire il costo per ciascuna di queste operazioni).

Anche in presenza di determinati diritti in qualità di consumatore legati al negozio all'ingrosso o al dettaglio dove hai acquistato il controller, queste esclusioni e restrizioni, e non questi termini e condizioni, influiscono o modificano i diritti che potresti avere in base alle leggi che regolano il tuo acquisto o le transazioni con i rivenditori all'ingrosso o al dettaglio di cui sopra.

#### Limitazione di responsabilità per altre garanzie/azioni legali.

Se il gioco o le sue parti vengono danneggiati tramite modifica, abuso, uso improprio, maltrattamento, negligenza o uso accidentale, qualsiasi garanzia applicabile sarà considerata nulla e dovrà seguire le istruzioni relative alla sostituzione del prodotto fuori garanzia.

A ECCEZIONE DELLE GARANZIE LIMITATE DESCRITTE SOPRA E/O NEI LIMITI DI QUALSIASI PARTICOLARE GARANZIA O DIRITTO CHE NON PUÒ ESSERE ESCLUSO O LIMITATO DALLE LEGGI E DALLE NORME VIGENTI NEL TUO PAESE DI RESIDENZA, ELECTRONIC ARTS E I SUOI CONCESSORI DI LICENZA ESCLUDONO QUALSIASI TIPO DI GARANZIA, ORALE O SCRITTA, IMPLICITA O ESPlicita, INCLUSE QUELLE DI COMMERCIALITÀ O IDONEITÀ A UN DATO SCOPO. NESSUN'ALTRA DIMOSTRAZIONE O GARANZIA DI QUALUNQUE NATURA POTRÀ ESSERE APPLICATA O IMPOSTA A ELECTRONIC ARTS O AI SUOI CONCESSORI DI LICENZA.

Qualora una di queste garanzie non possa essere esclusa per via di particolari leggi del tuo paese di residenza, il gioco sarà coperto da garanzia limitata al periodo descritto in precedenza applicabile al tuo caso. In nessun caso Electronic Arts o i suoi concessionari di licenza potranno essere ritenuti responsabili per qualsiasi danno speciale, accidentale o consequenziale dovuto al possesso, all'uso o al malfunzionamento del gioco, di qualsiasi controller o di altri prodotti, inclusi danni alle proprietà e, nei limiti previsti dalla legge, lesioni personali, senza considerare se Electronic Arts o i suoi concessionari di licenza siano stati informati o meno della possibilità di tali danni.

ALCUNE GIURISDIZIONI NON PERMETTONO DETERMINATE LIMITAZIONI O ESCLUSIONI, QUINDI LE LIMITAZIONI E/O LE ESCLUSIONI ELENATE SOPRA POTREBBERO NON RIGUARDARE IL TUO CASO. IN TALI GIURISDIZIONI, LA RESPONSABILITÀ DI ELECTRONIC ARTS E/O DEI SUOI CONCESSORI DI LICENZA SARÀ LIMITATA E LE ESCLUSIONI INTERPRETATE PER ESSERE APPLICATE NEI LIMITI MASSIMI PREVISTI DALLA LEGGE.

**Dichiarazione di conformità UE:** questo apparecchio è stato testato e dichiarato conforme ai requisiti stabiliti dalle direttive dell'Unione Europea 1999/5/EC e 2004/108/EC. La firma autorizzata del produttore è di Harmonix Music Systems, Inc., 625 Massachusetts Ave., Cambridge, Massachusetts 02139.

**Stati Uniti e Canada:** questo apparecchio di classe B (il controller di Rock Band - Numero modello 19091) è stato testato da Harmonix Music Systems, Inc., 625 Massachusetts Ave., Cambridge, Massachusetts 02139, 1-617-491-6144, e ritenuto conforme all'articolo 15 del regolamento della FCC (commissione federale delle comunicazioni degli Stati Uniti d'America) e dell'ICES-003 canadese, che stabilisce i limiti per fornire una ragionevole protezione contro le interferenze nocive in una struttura residenziale. Questo apparecchio usa, genera e può trasmettere frequenze radio e, se non installato e utilizzato secondo le istruzioni, può causare interferenze dannose alle comunicazioni radio. Tuttavia, non esiste alcuna garanzia che tali interferenze non possano verificarsi in un luogo o in condizioni particolari. L'utilizzo di questo apparecchio è soggetto alle due seguenti condizioni: (1) l'apparecchio non deve causare interferenze nocive e (2) deve accettare qualsiasi interferenza ricevuta, incluse quelle che potrebbero essere generate da un'operazione imprevista.

#### **Esposizione alle radiazioni delle frequenze radio:**

Le onde radio trasmesse dai controller rientrano pienamente nei limiti di esposizione alle frequenze radio imposti dalla FCC per questo tipo di apparecchio, quando non viene alterato e utilizzato secondo le nostre istruzioni. Il controller opera nel rispetto delle linee guida stabilite dagli standard per la sicurezza delle radio frequenze, approvati dalla comunità scientifica. Di conseguenza, il produttore ritiene che il dispositivo wireless all'interno dell'apparecchio possa essere usato dai consumatori senza alcun rischio. Il livello di energia emesso è di gran lunga inferiore a quello di energia elettromagnetica trasmesso dai dispositivi wireless, come i telefoni cellulari. Tuttavia, l'uso di segnali wireless potrebbe essere vietato in determinate circostanze (per esempio sugli aerei). Se non sei sicuro dei divieti che si applicano in una situazione particolare, è necessario chiedere l'autorizzazione prima di accendere, connettere o usare il controller.

#### **Informazioni importanti sulle batterie per i controller wireless:**

- Utilizza solo batterie stilo AA alcaline standard nuove.
- Sostituisci sempre tutte le batterie usate contemporaneamente con altre dello stesso tipo.
- Assicurati di inserire le batterie nel verso giusto, rispettando i simboli + e -, come mostrato nel manuale di istruzioni e nei vano batterie del controller. Non inserire mai le batterie al contrario.
- Se non utilizzi il controller per un periodo di tempo prolungato, è consigliabile rimuovere le batterie.
- Se usi batterie ricaricabili del tipo consigliato, utilizzale e ricaricale sempre in presenza di un adulto, seguendo le istruzioni fornite dal produttore.
- Non tentare mai di ricaricare batterie non ricaricabili.
- Le batterie ricaricabili devono essere rimosse dal controller prima di essere ricaricate.
- Non mischiare le batterie alcaline, standard (zinco-carbone) e ricaricabili.
- Non mischiare batterie nuove e vecchie o di diverso tipo tra loro.
- Rimuovi le batterie esaurite dal controller.
- Non cortocircuitare i terminali elettrici.

#### Conservare e smaltire correttamente le batterie

- Le batterie possono esplodere o perdere delle sostanze e causare danni da ustione se ricaricate, infiammate, mischiate con un tipo diverso di batterie, inserite al contrario o aperte.
- Non conservare, posare o lanciare batterie su una fiamma o su un oggetto surriscaldato.
- Non lasciare le batterie sfuse nella tasca o nella borsa.
- Non rimuovere l'etichetta della batteria.



● Consulta le leggi locali o contatta il tuo comune di residenza per sapere se esistono norme specifiche per lo smaltimento delle batterie nella zona in cui vivi. Per qualsiasi altro tipo di batterie e per le batterie ricaricabili il produttore dovrebbe fornire. Ricorda di leggere e di seguire sempre le indicazioni del produttore per evitare danni o lesioni e di rispettare le leggi e le norme per la tutela della salute, della sicurezza e dell'ambiente.

Sono stati condotti diversi studi sui potenziali effetti sulla salute umana delle apparecchiature elettriche ed elettroniche e di alcune sostanze nocive in esse contenute. Per qualsiasi informazione di carattere sanitario, rivolgiti sempre a un medico.

- I consumatori hanno un ruolo fondamentale nelle operazioni di riciclaggio dei materiali. Non smaltire le apparecchiature elettriche ed elettroniche (incluse le batterie) insieme ai rifiuti normali. Raccogli e smaltiscile separatamente in modo appropriato.
- Se non sei sicuro di come smaltire o riciclare questi prodotti, puoi contattare Electronic Arts all'indirizzo <http://www.rockband.com/warranty> o rivolgerti al tuo comune di residenza per maggiori informazioni.

© 2009 Harmonix Music Systems, Inc. Tutti i diritti riservati. The Beatles: Rock Band sviluppato da Harmonix Music Systems, Inc. Harmonix, Rock Band e tutti i titoli e logo associati sono marchi di Harmonix Music Systems, Inc., una società MTV Networks. MTV: Music Television, MTV Games e tutti i titoli e logo associati sono marchi di MTV Networks, una divisione di Viacom International Inc. The Beatles e tutti i titoli e logo associati sono marchi di Apple Corps Ltd. EA e il logo EA sono marchi o marchi registrati di Electronic Arts Inc. negli Stati Uniti e/o negli altri paesi. "Hofner" e il design del basso Hofner sono marchi di KARL HÖFNER GmbH & Co. KG, Germania. Tutti i diritti riservati. LUDWIG è un marchio registrato di Conn-Selmer, Inc., ed è utilizzato su licenza. Tutti gli altri marchi sono di proprietà dei rispettivi detentori.

Trademarks are property of their respective owners. Wii is a trademark of Nintendo.

Questo prodotto e il suo utilizzo possono essere tutelati dal brevetto degli Stati Uniti n. 7.320.643 e da altri brevetti in attesa di applicazione.

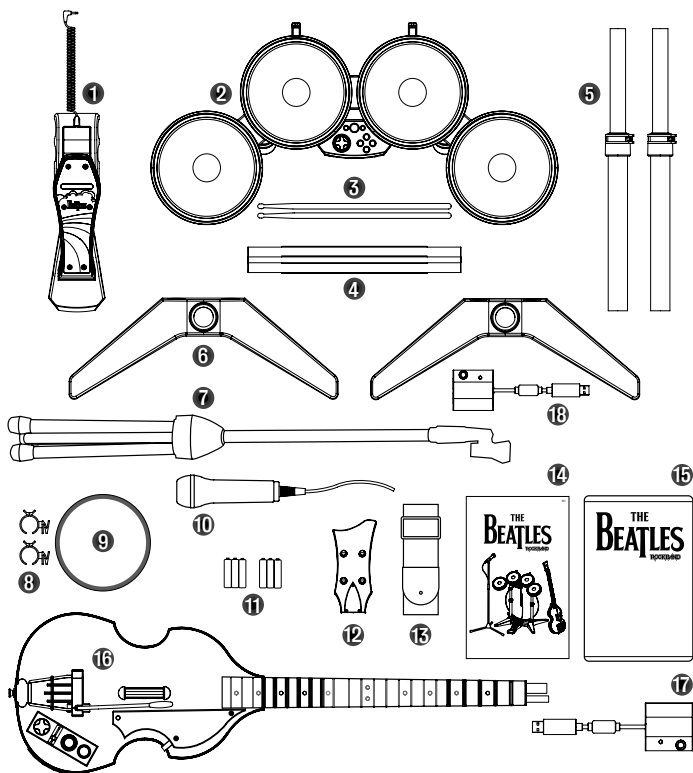
Controller prodotti da:  
Harmonix Music Systems Inc.  
625 Massachusetts Avenue  
Cambridge, MA 02139  
Stati Uniti d'America

Controller importati da:  
(Nord America)  
Electronic Arts Inc.  
209 Redwood Shores Parkway  
Redwood City, California 94065  
Stati Uniti d'America

(in altri territori)  
EA Swiss Sarl  
Place du Molard 8  
1204 Ginevra  
Svizzera

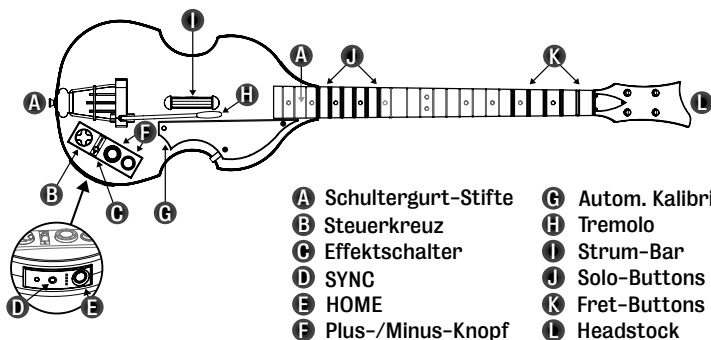
Inhalt...  
für Wii™

# THE BEATLES ROCKBAND

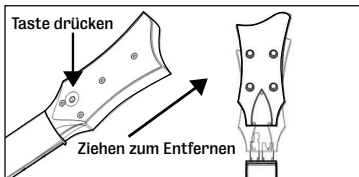
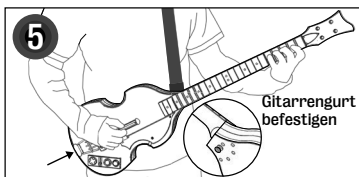
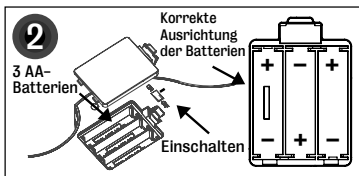
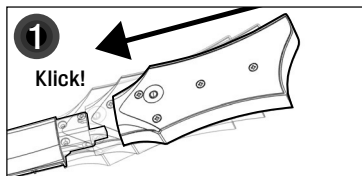


- |                      |                                     |
|----------------------|-------------------------------------|
| 1 Fußpedal           | 10 Mikrophon                        |
| 2 Drum-Set           | 11 2x 3 AA-Batterien                |
| 3 2 Trommelstöcke    | 12 Headstock                        |
| 4 2 Querstangen      | 13 Gitarren-Controller-Gurt         |
| 5 2 Ständer          | 14 Hardware-Handbuch                |
| 6 2 Bodenplatten     | 15 The Beatles: Rock Band-Spiel     |
| 7 Mikrofonständer    | 16 Drahtloser Gitarren-Controller   |
| 8 2 Kick-Shade-Clips | 17 Dongle für drahtlose Gitarre     |
| 9 Kick Shade         | 18 Dongle für drahtloses Schlagzeug |

Verwendung deines ...  
**Höfner Beatles-Bass**  
**DRAHTLOSEN GITARREN-CONTROLLERS**  
 for Wii™



- |                              |                              |
|------------------------------|------------------------------|
| <b>A</b> Schultergurt-Stifte | <b>G</b> Autom. Kalibrierung |
| <b>B</b> Steuerkreuz         | <b>H</b> Tremolo             |
| <b>C</b> Effektschalter      | <b>I</b> Strum-Bar           |
| <b>D</b> SYNC                | <b>J</b> Solo-Buttons        |
| <b>E</b> HOME                | <b>K</b> Fret-Buttons        |
| <b>F</b> Plus-/Minus-Knopf   | <b>L</b> Headstock           |



**FÜR LINKSHÄNDER**

**ENTFERNUNG DES HEADSTOCKS**

**Wichtige USB-Information:** Der drahtlose USB-Dongle muss direkt an die Wii-Konsole angeschlossen werden. Der zusätzliche USB-Anschluss am drahtlosen USB-Dongle der Gitarre kann nur für verkabelte Peripheriegeräte und den Empfänger für drahtlose Schlagzeuge verwendet werden.

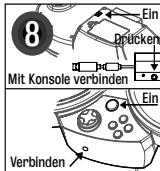
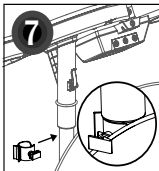
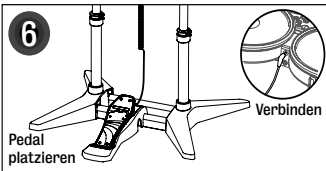
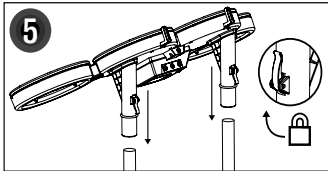
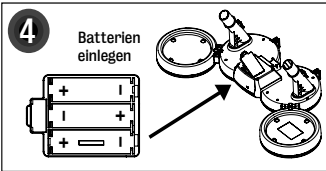
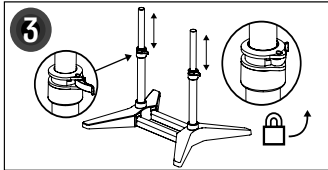
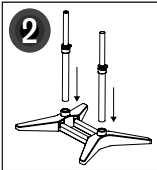
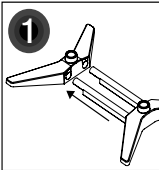
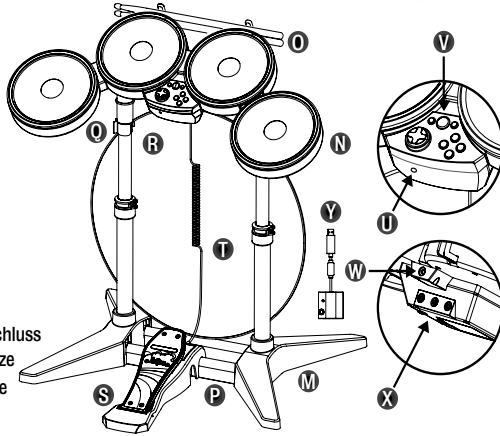
Verwendung deines ...

# Beatles

## DRAHTLOSEN SCHLAGZEUG-CONTROLLERS für Wii™



- M** Sockel
- N** Drum-Set
- O** Trommelstöcke
- P** Querstangen
- Q** Kick-Shade-Clips
- R** Kick Shade
- S** Fußpedal
- T** Beine
- U** SYNC
- V** HOME
- W** Erweiterungsanschluss
- X** Becken-Steckplätze
- Y** Schlagzeug-Dongle



### ALLGEMEIN

Problem: Die Verbindung meines Gitarren- bzw. Schlagzeug-Controllers wird immer wieder unterbrochen.

Lösung 1: Vergewissere dich, dass keine anderen drahtlosen Geräte, die auf einer Frequenz von 2,4 GHz senden, die The Beatles: Rock Band-Controller stören. Störende Geräte sind beispielsweise schnurlose Telefone, WLAN-Router und Mikrowellen.

Lösung 2: Vergewissere dich, dass sich die Batterien während des Spiels nicht lockern. Durch eine dünne Schicht Klebeband, Pappe oder Schaumstoff auf der Innenseite des Batteriefachdeckels sorgst du dafür, dass die Batterien selbst bei den wildesten Solos oder Drumfills nicht herausfallen.

### SCHLAGZEUG

Problem: Die Pads meines Schlagzeug-Controllers reagieren nicht empfindlich genug.

Lösung: Wenn du sicherstellen möchtest, dass deine Schläge erkannt werden, schlag auf die schwarzen Kreise in der Mitte der Pads. Hier reagieren die Pads am empfindlichsten.

Problem: Ich kann kein zweites Kickdrum-Pedal an den Schlagzeug-Controller anschließen.

Lösung: Nein, kannst du nicht. Die gelben, blauen und grünen Anschlüsse sind Erweiterungsanschlüsse für Becken. Der orangefarbene Anschluss ist für das Kickdrum-Pedal bestimmt, der schwarze Anschluss ist reserviert und unterstützt keine zusätzliche Kick-Drum.

Problem: Ich will mein Kickdrum-Pedal nicht kaputtmachen.

Lösung: Tritt nicht zu fest darauf. Behalte deinen Fußballen auf der orangefarbenen Linie und deine Ferse auf dem Boden. Drücke das Pedal in dieser Position aus dem Fußgelenk nach unten.

### GITARREN

Problem: Die automatische Kalibrierung meines Gitarren-Controllers funktioniert nicht.

Lösung 1: Bitte vergewissere dich, dass die Batterien in deinem Gitarren-Controller geladen sind.

Lösung 2: Die Kalibrierung funktioniert am besten in einem dunklen Raum ohne Nebengeräusche. Hast du eine Surround-Anlage, vergewissere dich, dass du den Gitarren-Controller während der Kalibrierung vor den Center-Lautsprecher hältst, da der Kalibrierungston nur über diesen Lautsprecher abgespielt wird.

Lösung 3: Vergewissere dich, dass in deinem Profil die Vibrationsfunktion aktiviert ist.

Schritt 1: Schließe den Dongle am USB-Anschluss deiner Konsole an.

Schritt 2: Lege Batterien ein und stelle den Ein/Aus-Schalter auf "Ein".

Schritt 3: Schalte die Konsole ein und lade das Spiel.

Schritt 4: Drücke die Sync-Taste des Gitarren- oder Schlagzeug-Controllers.

Der Controller müsste sich jetzt mit dem Dongle synchronisieren. Der Dongle und die LEDs auf beiden Controllern leuchten und der Controller kann jetzt für die Navigation durch das Hauptmenü verwendet werden. Wird der Controller nicht synchronisiert, drücke die Sync-Taste des Dongles, um die Suchsequenz zurückzusetzen. Drücke dann die Sync-Taste des Controllers, um die Synchronisierung vorzunehmen.

Problem: Mein Gitarren-Controller aktiviert die Beatlemania nicht immer.

Lösung: Anstatt die Gitarre nach oben zu reißen, kannst du die Beatlemania auch mit einem Fußpedal von Rock Band, Rock Band 2 oder The Beatles: Rock Band aktivieren. Schließe das Pedal einfach an den 3,5 mm-Anschluss an der Unterseite deines Gitarren-Controllers an und betätige das Pedal. So kannst du die Beatlemania aktivieren, ohne die Gitarre nach oben zu reißen. Bitte beachte, dass das Pedal den Bewegungssensor deiner Gitarre nicht deaktiviert.

Problem: Ich kann nicht alle meine USB-Geräte an die Konsole anschließen.

Lösung: Der Dongle deines Schlagzeug-Controllers kann an den USB-Anschluss des Gitarren- oder Bass-Dongles angeschlossen werden. Hinweis: Gitarren- und Bass-Dongles können nicht an andere Gitarren- und Bass-Dongles angeschlossen werden.

### MIKROFONE

Problem: Ich kann keine Auswahl treffen, weil das Mikrofon keine Tasten hat.

Lösung: Um das Spiel zu spielen, musst du neben deinem Mikrofon eine Wii-Fernbedienung verwenden.

Problem: Ich verwende mehrere Mikrofone. Wie viele Wii-Fernbedienungen brauche ich?

Lösung: Wenn du mit Freunden singen möchtest, brauchst du nur eine Wii-Fernbedienung für bis zu drei Mikros.

## The Beatles: Rock Band

**WICHTIG:** Bevor du The Beatles: Rock Band (die "Software") oder das für das Spiel gedachte Schlagzeug, die Gitarre und/oder das Mikrofon (jeweils ein "Controller") mit der Wii™-Konsole verwendest, lies in der Wii-Bedienungsanleitung die Informationen zur Sicherheit, Gesundheit und anderen wichtigen Punkten. Alle Fragen bezüglich der Wii-Konsole sollten direkt an den Hersteller gerichtet werden. Zur Erleichterung der Zuordnung bezieht sich der Begriff "Spiel" sowohl auf Software als auch auf alle für die Verwendung mit dem Spiel gedachten Controller.

**WARNUNG:** KINDER UNTER 36 MONATEN SOLLTEN NICHT MIT DIESEM SPIEL SPIELEN. Bewahre die Controller immer außerhalb der Reichweite von Kleinkindern auf. Die Controller sind ausschließlich für Erwachsene gedacht und für Kinder ab 12 Jahren, allerdings nur unter ständiger Aufsicht durch Erwachsene.

**ACHTUNG:** Verwende die Controller nur mit größter Vorsicht, um Verletzungen zu vermeiden. Die Controller dürfen nur in ausreichend großen Räumen verwendet werden, um Schäden (durch Zusammenstoß mit einem Controller oder anderen Spielern) oder Verletzungen (einschließlich an persönlichem Eigentum) zu vermeiden. Videospiele können epileptische Anfälle auslösen.

**ACHTUNG:** Bitte befolge ALLE Sicherheitshinweise und Anweisungen. Änderungen oder Modifikationen am Spiel oder den Controllern, die vom Hersteller nicht ausdrücklich genehmigt wurden, können zum Verlust der Betriebszulassung für das Spiel und/oder die Controller und jeglicher Garantieleistungen führen.

Weder Electronic Arts noch seine Lizenzgeber haften für Verletzungen oder Schäden, die durch die unsachgemäße oder unerlaubte Benutzung dieses Spiels entstehen.

### Wichtige Informationen zur Sicherheit und zur korrekten Handhabung der Controller:

- Modifiziere keinen Controller, baue sie nicht auseinander und versuche nicht, sie zu öffnen.
- Setze keinen Controller extremen Bedingungen wie direktem Sonnenlicht oder übermäßiger Feuchtigkeit aus.
- Lasse keinen Controller in Kontakt mit Flüssigkeiten kommen.
- Wenn Reinigung erforderlich ist, dann benutze dazu ein trockenes Tuch. Verwende auf keinen Fall Chemikalien.
- Wenn ein Controller den Radio- oder Fernsehempfang stört (kann durch Ein- und Ausschalten des Controllers überprüft werden), versuche, die Störung durch eine oder mehrere der folgenden Maßnahmen zu beheben:
  1. Richte die Empfangsantenne (sofern vorhanden) des Controllers neu aus und/oder
  2. Erhöhe den Abstand zwischen dem Controller und der Spielkonsole.

### Begrenzte Controller-Hardwaregarantie

Electronic Arts und seine Lizenzgeber garantieren dem ursprünglichen Käufer jedes Controllers, dass der Controller gemäß strenger Qualitätsstandards entwickelt und hergestellt wurde, und dass er frei von Material- oder Verarbeitungsfehlern ist. Diese Garantie gilt ab dem Kaufdatum für die am Wohnort des ursprünglichen Käufers gesetzlich vorgeschriebene Garantiezeit, mindestens aber 60 Tage. Wenn du in einem Mitgliedsstaat der Europäischen Union wohnst, beträgt die Garantiezeit für dieses Produkt von Electronic Arts und seinen Lizenzgebern zwei Jahre. Wenn der Controller innerhalb der geltenden Garantiefrist einen Defekt aufweist und von dir zurückgegeben wird, repariert oder ersetzt Electronic Arts den defekten Controller (oder das defekte Bauteil innerhalb des Controllers), ohne dir die Kosten für die Reparatur bzw. den Austausch in Rechnung zu stellen. Deine übrigen Rechte bleiben davon unberührt. Diese Garantie gilt für den ursprünglichen Käufer und die vorgesehene Verwendung des Controllers im Sinne der mitgelieferten Gebrauchsanweisung. Schäden oder Defekte, die aus Missbrauch, unsachgemäßer Handhabung, Fahrlässigkeit, Unfall, Modifikation oder fehlerhafter Anwendung des Controllers entstehen, werden von dieser Garantie nicht abgedeckt und machen diese unwirksam. Weitere Informationen bekommst du von Electronic Arts unter <http://www.rockband.com/warranty>.

Wenn du Kundendienstleistungen in Anspruch nehmen möchtest, gib deine Rock Band-Peripheriegeräte (Gitarrencontroller und Schlagzeuge) bitte in dem Ladengeschäft zurück, in dem du die/das defekte(n) Instrument erworben hast.

**BITTE SCHICKE KEINE DEFEKTEN GITARREN ODER SCHLAGZEUGE AN ELECTRONIC ARTS.**

Falls du einen Austausch deines Gitarrengurtes, der Drum Sticks, der Fußpedale zum Schlagzeug, deines Mikrofons, des USB Hubs oder des Spiels benötigst, wende dich bitte direkt an:

Electronic Arts GmbH  
z. Hd. Kundendienst  
Im Zollhafen 15-17  
D-50678 Köln

Im unwahrscheinlichen Fall, dass du ein Problem mit irgendeinem Bestandteil des Spiels hast, besuche bitte die Website <http://www.rockband.com/warranty>. Hier findest du detaillierte Anweisungen für die Nutzung unseres Garantie-Kundendienstprogramms.

Du bestätigst hiermit, dass deine Rechte als Endverbraucher von deinem Wohnort abhängig sind und dass einige Rechte je nach Wohnort und den dort geltenden Gesetzen und Bestimmungen für dich nicht oder nur abgewandelter Form gelten. Wenn du dir nicht sicher bist oder Fragen zu deinen Rechten hast, wende dich an deinen Rechtsbeistand, um die für dich geltenden Gesetze und Bestimmungen in Erfahrung zu bringen.

Wenn du in Australien oder Neuseeland wohnst, gelten für diese Garantie bestimmte Ausschlüsse, darunter Nutzungsbedingungen und alle durch spezifische Gesetze, allgemeine Gesetze, Handelsbrauch oder Gewohnheitsrechte implizierte Bedingungen und Garantien, mit Ausnahme aller "nicht ausschließbaren Bedingungen", gemäß der unten stehenden Definition dieses Begriffs, wie sie im Australian Trade Practices Act 1974 ("TPA") bzw. im Falle neuseeländischer Endverbraucher im New Zealand Consumer Guarantees Act 1995 ("CGA") festgelegt ist. Mit Ausnahme der von Gesetzen oder Bestimmungen erforderlichen Haftung hinsichtlich nicht ausschließbarer Bedingungen schließen wir unsere Haftung dir gegenüber für mögliche Handlungen oder Nichthandlungen aus, gleich ob vertragsrechtlich, deliktrechtlich (einschließlich Fahrlässigkeit) oder anderweitig mit diesem Controller oder unserer Vereinbarung in Zusammenhang stehend. Für die Zwecke dieser Bestimmung bedeutet eine "nicht ausschließbare Bedingung" eine stillschweigende Garantie oder Gewährleistung, deren Ausschluss im Falle australischer Endverbraucher gegen den ("TPA") bzw. im Falle neuseeländischer Endverbraucher gegen den ("CGA") verstoßen würde oder deren Ausschluss für eines oder beide Länder den Haftungsausschluss bzw. die Haftungsbeschränkung ganz oder teilweise nichtig machen würde. Im Falle eines Verstoßes gegen eine nicht ausschließbare Bedingung (mit Ausnahme der in Absatz 69 des TPA in Australien implizierten Bedingungen) sind deine Rechtsmittel beschränkt. Unsere Haftung ist nach unserem Ermessen beschränkt auf die Neulieferung oder den Ersatz bzw. die Reparatur des Controllers (oder (nach unserem Ermessen) die Erstattung der für eine dieser Optionen anfallenden Kosten).

Dir stehen als Endverbraucher möglicherweise gewisse Rechte gegenüber dem Händler zu, bei dem du diesen Controller erworben hast. Die Ausschlüsse, Einschränkungen und Bedingungen, die hier festgelegt sind, beeinflussen oder verändern deine Rechte nicht, die du bezüglich der Transaktion(en) gegenüber dem Händler hast

**Ausschluss anderer Garantien/Rechtsmittel**

Wurde das Spiel oder irgendein Bestandteil davon durch Modifikation, Missbrauch, unsachgemäßen Gebrauch, Fahrlässigkeit oder einen Unfall beschädigt, erlischt die Garantie und du musst dich an die Rückgabebestimmungen für die Zeit nach dem Ablauf der Garantiezeit halten.

**MIT AUSNAHME DER OBEN ERLÄUTERTEN AUSDRÜCKLICH BEGRENZTEN GARANTIEEN UND/ODER SOWEIT BESTIMMTE GARANTIEEN ODER RECHTE GEMÄSS DER GESETZE UND BESTIMMUNGEN DEINES WOHNRORTS NICHT AUSGESCHLOSSEN ODER EINGESCHRÄNKT WERDEN DÜRFEN, SCHLIESSEN ELECTRONIC ARTS UND SEINE LIZENZGEBER HIERMIT SÄMTLICHE MÜNDLICHEN, SCHRIFTLICHEN, AUSDRÜCKLICHEN ODER STILLSCHWEIGENDEN GARANTIEEN AUS, EINSCHLIESSLICH EINER ETWAIGEN GARANTIE DER MARKTGÄNGIGKEIT ODER EIGNUNG FÜR EINEN BESTIMMTEN ZWECK. ES GELTEN KEINE WEITEREN GARANTIEEN ODER GEWÄHRLEISTUNGEN JEDWEDER ART. ELECTRONIC ARTS UND SEINE LIZENZGEBER UNTERLIEGEN KEINEN WEITEREN GARANTIEEN ODER GEWÄHRLEISTUNGEN JEDWEDER ART.**

Sollten Garantien aufgrund der an deinem Wohnort geltenden Gesetze nicht ausgeschlossen werden können, werden solche Garantien für dieses Spiel auf die oben beschriebene, für dich geltende Garantiezeit befristet. Electronic Arts und seine Lizenzgeber haften unter keinen Umständen für spezielle Schäden, Folgeschäden oder beiläufige Schäden, die aus dem Besitz, dem Gebrauch oder einer Fehlfunktion des Spiels, darunter ohne Ausnahme jedes Controllers, der Software oder anderen Bestandteilen des Spiels, entstehen, insbesondere nicht für Schäden an Eigentum und, soweit gesetzlich zulässig, Personenschäden, selbst wenn Electronic Arts und seine Lizenzgeber auf die Möglichkeit solcher Schäden aufmerksam gemacht wurden.

**EINIGE GERICHTSBARKEITEN Erlauben bestimmte Einschränkungen oder Ausschlüsse nicht, weshalb die oben stehenden Einschränkungen und Ausschlüsse unter Umständen nicht für dich gelten. In all diesen Gerichtsbarkeiten wird die Haftung von Electronic Arts und/oder seiner Lizenzgeber im gesetzlich zulässigen Masse beschränkt, und die Ausschlüsse werden im gesetzlich zulässigen Masse ausgelegt.**

**EU-Konformitätserklärung:** Wie vorgeschrieben, wurden bestimmte Controller getestet und entsprechen den Anforderungen der EU-Direktiven 1999/5/EG und 2004/108/EG. Der Handlungsbevollmächtigte des Herstellers ist Harmonix Music Systems, Inc., 625 Massachusetts Ave., Cambridge, Massachusetts 02139, USA.

**USA und Kanada:** Wie vorgeschrieben, wurden bestimmte dieser digitalen Geräte der Klasse B (die Controller) von Harmonix Music Systems, Inc., 625 Massachusetts Ave., Cambridge, Massachusetts 02139, USA, +1-617-491-6144 getestet. Sie entsprechen Teil 15 der FCC-Bestimmungen sowie der kanadischen Bestimmung RSS-210 zur Festlegung der Grenzwerte schädlicher Störungen in Wohnräumen. Diese Geräte strahlen möglicherweise Energie durch Funkfrequenzen aus. Werden sie nicht entsprechend der Betriebsanweisung installiert und verwendet, kann es den Betrieb anderer funktgesteuerter Geräte stören. Es gibt keine Garantie für den störungsfreien Betrieb an allen Orten und mit allen Anwendungen. Der Betrieb unterliegt folgenden Bedingungen: (1) Das Gerät darf keine schädliche Störung verursachen und muss (2) Jede empfangene Störung akzeptieren, auch wenn diese unerwünschte Effekte nach sich ziehen.

**Funkstrahlung:** Die abgestrahlte Ausgangsleistung dieses Controllers liegt weit unter den FCC-Grenzwerten für Geräte dieser Art, sofern der Controller nicht modifiziert wurde und nur sachgerecht verwendet wird. Der Controller entspricht den in entsprechenden Sicherheitsstandards festgelegten Richtlinien, die den Konsens der wissenschaftlichen Gemeinschaft widerspiegeln. Der Hersteller ist daher überzeugt, dass das interne drahtlose Funkmodul des Gerätes die nötigen Sicherheitsvorschriften für den Einsatz durch Endverbraucher einhält. Die von diesem Gerät ausgestrahlte Energie liegt weit unter dem Wert drahtloser Endgeräte wie Mobiltelefone. In einigen Situationen (z. B. in Flugzeugen) kann der Einsatz drahtloser Geräte allerdings verboten sein. Wenn du nicht sicher bist, ob du den Controller verwenden darfst, informiere dich über die geltenden Bestimmungen, bevor du den Controller anschließt, einschaltest oder verwendest.



### Wichtige Informationen zu den Batterien drahtloser Controller:

- Verwende nur neue Standardbatterien des Typs AA Alkaline.
- Ersetze alle leeren Batterien gleichzeitig mit Batterien desselben Typs.
- Achte darauf, dass du die Batterien korrekt einlegst, indem du die im Handbuch und im Batteriefach des Controllers angegebene Polung beachtest. Lege die Batterien nicht falsch ein.
- Wird der Controller längere Zeit nicht benutzt, solltest du die Batterien entfernen.
- Wenn du zulässige Akkus verwendest, dürfen diese nur unter Aufsicht eines Erwachsenen und unter Berücksichtigung der Herstelleranweisungen verwendet und aufgeladen werden.
- Versuche niemals, normale Batterien aufzuladen.
- Entferne leere Akkus vor dem Aufladen aus dem Controller.
- Verwende keine unterschiedlichen Batterien (Alkaline, Zink, wiederaufladbare Batterien) gleichzeitig.
- Verwende niemals alte und neue Batterien oder Batterienarten zusammen.
- Entferne leere Batterien aus dem Controller.
- Die Kontakte dürfen nicht kurzgeschlossen werden.

### Bewahre Batterien und elektrische/elektronische Geräte korrekt auf und entsorge sie vorschriftsgemäß.

- Batterien können explodieren oder auslaufen und verursachen unter Umständen Verbrennungen, wenn sie aufgeladen, Feuer ausgesetzt, mit anderen Batterietypen kombiniert, falsch eingesetzt oder zerlegt werden.
- Bewahre Batterien nie an einem heißen Ort auf.
- Bewahre Batterien nicht in deinen Taschen oder einer Handtasche auf.
- Entferne das Etikett der Batterie nicht.



- Überprüfe die örtlichen Bestimmungen oder wende dich an die zuständigen Behörden oder deine Gemeinde, um dich zu informieren, ob du Batterien gesondert entsorgen musst. Für Akkus und alle anderen Batterietypen sollte der Hersteller Entsorgungsanweisungen mitliefern. Lies und befolge die Anweisungen des Herstellers, um Verletzungen und Schäden zu vermeiden und dich an die geltenden Gesundheits-, Sicherheits- und Umweltgesetze und -bestimmungen zu halten.

Einige Studien werfen die Frage auf, ob elektrische und elektronische Geräte und die möglicherweise darin enthaltenen Schadstoffe negative Auswirkungen auf die Gesundheit haben könnten. Wenn du im Zusammenhang mit der Verwendung des Controllers, der Batterien oder anderer Bestandteile des Spiels Fragen zu deiner Gesundheit hast, wende dich bitte an deinen Hausarzt.

- Beim Thema Recycling stehen auch die Verbraucher in der Verantwortung. Das Mülltonnen-Symbol auf der Verpackung weist dich darauf hin, dass du diese elektrisch/elektronische Geräte sowie Batterien nicht über den Hausmüll, sondern gesondert entsorgen bzw. recyceln sollst.
- Wenn du nicht sicher bist, wie du entsprechende Geräte entsorgen oder recyceln kannst, wende dich an Electronic Arts (<http://www.rockband.com/warranty>) oder deine Gemeindeverwaltung.

© 2009 Harmonix Music Systems, Inc. All Rights Reserved. The Beatles: Rock Band developed by Harmonix Music Systems, Inc. Harmonix, Rock Band and all related titles and logos are trademarks of Harmonix Music Systems, Inc., an MTV Networks company. MTV: Music Television, MTV Games and all related titles and logos are trademarks of MTV Networks, a division of Viacom International Inc. The Beatles and all related titles and logos are trademarks of Apple Corps Ltd. EA and the EA logo are trademarks or registered trademarks of Electronic Arts Inc. in the U.S. and/or other countries.

'Hofner' and the design of the Hofner bass guitar are the trademarks of KARL HÖFNER GmbH & Co. KG, Germany. All rights reserved. LUDWIG is a registered trademark of Conn-Selmer, Inc., and is used under license. All other marks are the property of their respective owners.

Trademarks are property of their respective owners. Wii is a trademark of Nintendo

This product and its use may be covered by U.S. Patent Number 7,320,643 and patent applications pending.

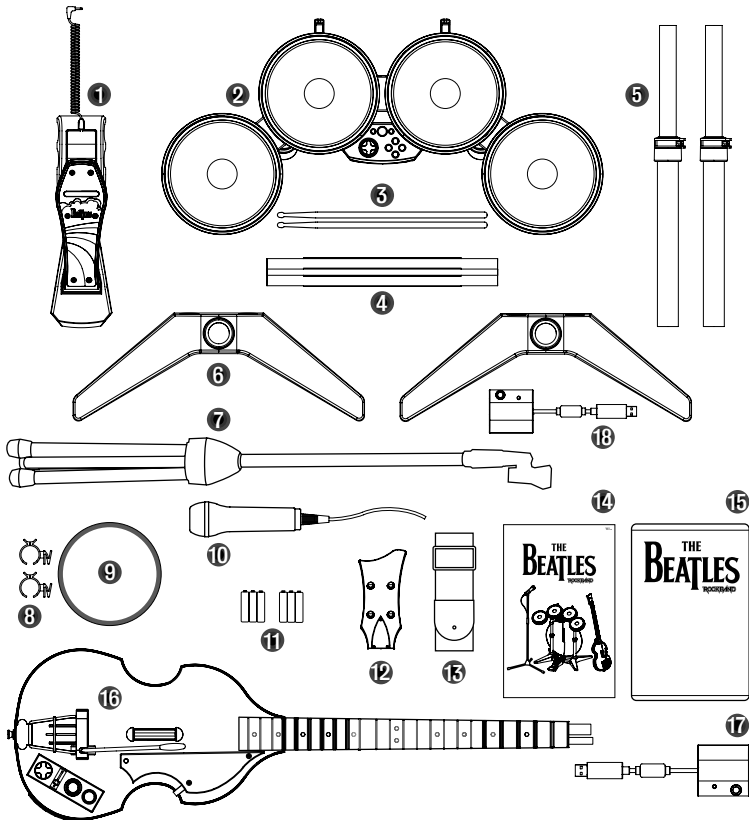
Controller hergestellt von:  
Harmonix Music Systems, Inc.  
625 Massachusetts Avenue  
Cambridge, MA 02139  
USA

Controller importiert von:  
(Nordamerika)  
Electronic Arts Inc.  
209 Redwood Shores Parkway  
Redwood City, California 94065  
USA

(In anderen Gebieten)  
EA Swiss Sarl  
Place du Molard 8  
1204 Geneva  
Schweiz

Índice...  
Para Wii™

THE  
**BEATLES**  
ROCKBAND

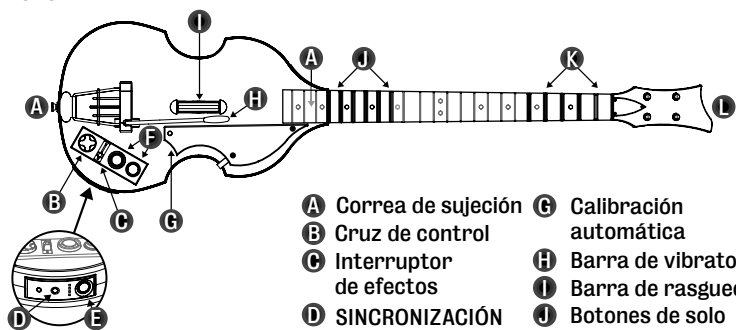


- |                                      |  |
|--------------------------------------|--|
| ➊ Pedal del bombo                    | ➐ Micrófono                              |
| ➋ Batería                            | ➑ 2 x 3 pilas AA                         |
| ➌ 2 x baquetas                       | ➒ Clavijero                              |
| ➍ 2 x barras transversales           | ➓ Correa para mando de la guitarra       |
| ➎ 2 x pies                           | ➔ Manual del hardware                    |
| ➏ 2 x bases                          | ➕ Juego The Beatles: Rock Band           |
| ➐ Pie de micro                       | ➖ Mando de la guitarra inalámbrica       |
| ➑ 2 x clips para la imagen del bombo | ➗ Dispositivo de la guitarra inalámbrica |
| ➒ Imagen del bombo                   | ➘ Dispositivo de la batería inalámbrica  |

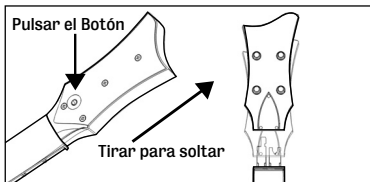
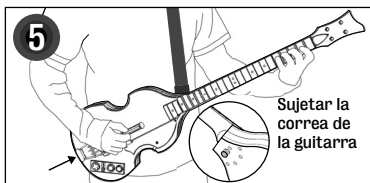
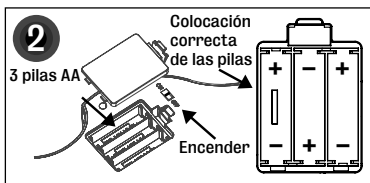
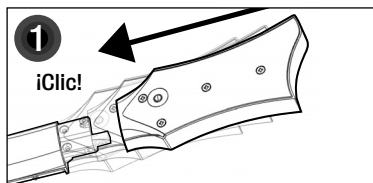
Cómo utilizar el...  
**MANDO DE LA  
 GUITARRA INALÁMBRICA**  
 Bajo de los Beatles Höfner

**THE  
 BEATLES**  
 ROCKBAND

Para Wii™



- A** Correa de sujeción
- B** Cruz de control
- C** Interruptor de efectos
- D** SINCRONIZACIÓN
- E** Botón Home
- F** Botones +/-
- G** Calibración automática
- H** Barra de vibrato
- I** Barra de rasgueo
- J** Botones de solo
- K** Botones de trastes
- L** Clavijero



**PARA ZURDOS...**

**PARA EXTRAER EL CLAVIJERO...**

Información importante sobre el dispositivo USB: el dispositivo inalámbrico USB debe conectarse directamente a la consola Wii. Se puede usar el puerto USB adicional en el dispositivo inalámbrico USB de la guitarra para periféricos que vayan conectados y periféricos inalámbricos de batería.

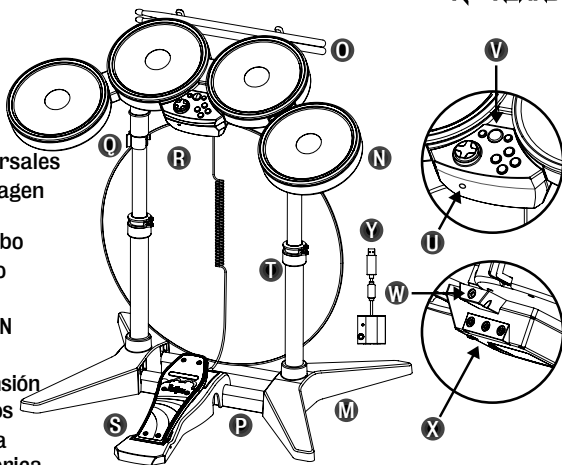
Cómo utilizar el...  
**MANDO DE LA  
 BATERÍA INALÁMBRICA**

**THE  
 BEATLES**  
 ROCKBAND

**Beatles**

Para Wii™

- M** Base
- N** Batería
- O** Baquetas
- P** Barras transversales
- Q** Clips para la imagen del bombo
- R** Imagen del bombo
- S** Pedal del bombo
- T** Pies
- U** **SINCRONIZACIÓN**
- V** Botón Home
- W** Puerto de expansión
- X** Puertos de platos
- Y** Dispositivo de la batería inalámbrica



<b>1</b>	<b>2</b>	<b>3</b>	
<b>4</b>	<b>5</b>		
<p>Introducir las pilas</p>			
<b>6</b>	<b>7</b>	<b>8</b>	
<p>Colocar el pedal</p>		<p>Conectar a la consola</p>	

## Preguntas frecuentes sobre el hardware Para Wii™



### GENERAL

**Problema:** La guitarra o la batería se desconectan constantemente.

**Solución 1:** Asegúrate de que no hay ningún otro dispositivo inalámbrico de 2,4 GHz cerca que pueda interferir con los mandos de The Beatles: Rock Band. Entre los dispositivos conflictivos están los teléfonos inalámbricos, los routers Wi-Fi y los microondas.

**Solución 2:** Asegúrate de que las pilas no se suelten con los movimientos del juego. Con un pequeño trozo de cinta adhesiva, cartón o cinta aislante se pueden asegurar las pilas en el interior del compartimento para que no se suelten en esos solos y rellenos de batería bestiales.

### BATERÍA

**Problema:** Los pads del mando de batería no tienen suficiente sensibilidad.

**Solución:** Si quieres potenciar al máximo el reconocimiento del golpeo, apunta al centro de los pads marcados por un punto negro brillante. Es el punto de sensibilidad máxima de la batería.

**Problema:** No consigo conectar un segundo pedal de bombo directamente en el mando de la batería.

**Solución:** No, no se puede. Los jacks de colores amarillo, azul y verde son puertos de expansión para los platos, el jack naranja es para el pedal del bombo y el jack negro (debajo del jack naranja del bombo) está destinado a usos futuros y no funciona como jack secundario para el pedal del bombo.

**Problema:** No quiero romper el pedal del bombo.

**Solución:** No lo pisotees demasiado fuerte; mantén la bola del pie en la línea naranja y el talón apoyado. Intenta mantener el pie en esa posición y haz fuerza con el tobillo para pisar el pedal.

### GITARRAS

**Problema:** La calibración automática del mando de la guitarra no funciona.

**Solución 1:** Asegúrate de que utilizas pilas cargadas en el mando de la guitarra.

**Solución 2:** La calibración se realiza mejor en una sala oscura y en silencio. Si tienes un sistema de sonido envolvente, asegúrate de que sujetas el mando de la guitarra hacia el altavoz central durante la calibración de sonido, ya que el altavoz central es el único que emite el tono de calibración.

**Solución 3:** Asegúrate de que has activado la vibración en tu perfil.

**Paso 1:** Conecta el dispositivo inalámbrico en el puerto USB de la consola.

**Paso 2:** Introduce las pilas y coloca el interruptor on/off en posición "on".

**Paso 3:** Enciende la consola y carga el juego.

**Paso 4:** Pulsa el botón de sincronización del mando de la guitarra o de la batería.

Ahora el mando debería sincronizarse con la búsqueda del dispositivo inalámbrico. El dispositivo y los LED de ambos mandos se mantendrán estáticos y el mando podrá desplazarse por el menú principal. Si el mando no se sincroniza en primera instancia, pulsa el botón de sincronización del dispositivo inalámbrico para restablecer la secuencia de búsqueda y a continuación el botón de sincronización del mando para que se establezca la conexión.

**Problema:** El mando de la guitarra no siempre activa la Beatlemania cuando quiero hacerlo.

**Solución:** Además de inclinando la guitarra, puedes activar la Beatlemania con cualquier pedal de bombo de Rock Band, Rock Band 2 o The Beatles: Rock Band. Conecta el pedal en el jack de 3,5 mm de la parte inferior del mando de la guitarra y pisa el pedal. Así activarás la Beatlemania sin necesidad de inclinar la guitarra. No olvides que el pedal funciona de forma independiente del sensor de inclinación del mando de la guitarra, y no lo neutraliza.

**Problema:** No consigo conectar todos los periféricos USB en la consola.

**Solución:** El dispositivo inalámbrico del mando de la batería se puede conectar en el puerto USB directo de los dispositivos de la guitarra y el bajo. Nota: no se puede conectar un dispositivo de guitarra o de bajo en otro dispositivo de guitarra o de bajo.

### MICRÓFONOS

**Problema:** No puedo realizar selecciones porque no hay botones en el micrófono.

**Solución:** Para jugar tienes que utilizar un mando de Wii además del micrófono.

**Problema:** Utilizo varios micrófonos; ¿cuántos mandos de Wii necesito?

**Solución:** Si quieres cantar con tus amigos solo necesitas un mando de Wii para conectar hasta tres micrófonos.

### The Beatles: Rock Band

**IMPORTANTE:** Antes de utilizar The Beatles: Rock Band (el "software") o la batería, guitarra o micrófono ideados para utilizar con este juego (cada uno de ellos, un "mando") con la consola Wii™, lea el manual de instrucciones de la consola Wii para obtener información sobre salud y seguridad y más detalles sobre la utilización de la consola Wii. Todas las preguntas relacionadas con la consola Wii deben dirigirse directamente al fabricante. Para facilitar la consulta, el término "juego" hará referencia de forma colectiva al software y a cualquiera de los mandos diseñados para utilizar con el juego.

**ADVERTENCIA: RECOMENDAMOS QUE LOS NIÑOS MENORES DE 36 MESES NO JUEGUEN NI UTILICEN EL JUEGO.** Los mandos deben mantenerse fuera del alcance de los niños en todo momento. Los mandos están ideados para uso exclusivo de adultos, y para niños mayores de 12 años de edad bajo supervisión estricta de adultos.

**PRECAUCIÓN:** Los mandos deben utilizarse con cuidado para evitar accidentes. Los mandos deben utilizarse con espacio suficiente para evitar heridas (por contacto con otro mando u otro jugador) y daños (a la propiedad individual incluidos). Existe un riesgo potencial de que los videojuegos causen ataques epilépticos.

**ADVERTENCIA -** El dispositivo debe utilizarse únicamente con supervisión de un adulto y con espacio suficiente para evitar heridas y daños. Existe un riesgo potencial de que los videojuegos causen ataques epilépticos.

**PRECAUCIÓN:** Por favor, siga TODAS las advertencias e instrucciones de seguridad. Los cambios y modificaciones al juego o mandos que no estén expresamente aprobados por el fabricante, podrían anular la autoridad del usuario para manejar este juego o los mandos y anular todas las garantías del juego y el hardware.

En ningún caso Electronic Arts o sus licenciadores será responsable de los daños o lesiones que resulten de un uso indebido o no autorizado de este juego.

#### **Información importante sobre seguridad y utilización y manejo adecuados de los mandos:**

- No modifique, desmonte o intente abrir ningún mando.
- No exponga ningún mando a condiciones extremas, como luz solar directa o humedad excesiva.
- No exponga ningún mando a líquidos.
- Si es necesario limpiarlo, utilice un paño seco para limpiar la zona afectada. No utilice nunca productos químicos.
- Si un mando causa alguna interferencia en la recepción de la señal de radio o de televisión (se puede averiguar apagando y encendiendo el mando), el usuario puede solucionar la interferencia tomando alguna de las siguientes medidas:
  - (1) Redirija o recoloca la antena receptora del mando, si procede, o
  - (2) Aumente la separación entre el mando y la consola.

#### **Garantía de hardware limitada:**

Electronic Arts y sus licenciadores garantizan al comprador original de cualquier mando que el mando en cuestión ha sido diseñado y fabricado de acuerdo con estándares de calidad muy estrictos y garantizan que no contiene defectos en cuanto a materiales y fabricación a partir de la fecha de entrega y durante el período mínimo de garantía obligatorio por ley en el país en el que el comprador original reside y que en ningún caso será inferior a 60 días. Si el comprador es un habitante de la Unión Europea, el período mínimo de garantía aplicable a un mando por parte de Electronic Arts y sus licenciadores es de dos años. Si durante la garantía, y si es aplicable en su caso, el mando tiene algún defecto y lo devuelve dentro del período de garantía aplicable en su caso, Electronic Arts reparará o sustituirá el mando defectuoso (o cualquier componente que tenga algún defecto dentro del mando) sin cargos para el comprador. Cualquier otro derecho estatutario que el comprador tenga no se verá afectado. Esta garantía se aplica al comprador original para el uso normal al que se destinó este mando, tal y como indican las instrucciones suministradas. Cualquier daño que resulte del abuso, uso indebido, negligencia, accidente, modificación o mal trato del mando no está cubierto y anulará los términos de esta garantía. Para obtener más información, póngase en contacto con Electronic Arts en <http://www.rockband.com/warranty>.

Si quiere acceder al servicio bajo la garantía, NO devuelva el juego ni parte del juego (incluyendo guitarras, baterías y micrófonos) a los comercios, aunque sea el lugar donde se realizó la compra original. La venta al por menor NO forma parte de nuestro programa autorizado de soporte de garantía de mandos. En el caso poco probable de que tenga algún problema con alguna parte del juego, visite <http://www.rockband.com/warranty>. Esta página contiene instrucciones sobre cómo beneficiarse de nuestro programa de soporte de garantía.

Entiende que sus derechos como consumidor pueden variar dependiendo del lugar en el que viva, y de las leyes y normativas locales aplicables, y que todos o alguno de sus derechos pueden ser diferentes o no aplicables a usted. Si tiene alguna duda o pregunta sobre sus derechos, debería consultar a sus asesores u organizaciones locales de consumo para determinar qué leyes y normativas se aplican en su caso.

Si el comprador es un habitante de Australia o Nueva Zelanda, se aplican exclusiones a esta garantía, como exclusiones de términos, condiciones, garantías y términos a los que hacen referencia los estatutos, la ley general o el uso y costumbre, excepto cualquier "condición no excluyente", tal y como se define ese término más abajo y se interpreta según la Australian Trade Practices Act 1974 (Ley de Prácticas de Comercio Australiana de 1974) ("TPA") o, en caso de los consumidores de Nueva Zelanda, la New Zealand Consumer Guarantees Act 1993 (Ley de Garantías del Consumidor de Nueva Zelanda de 1993) ("CGA"). Excepto en lo que se refiere a la responsabilidad exigida por ley o por las normativas en relación con cualquier condición no excluyente, nuestra responsabilidad con el comprador por cualquier acción u omisión, tanto si se deriva del contrato como por agravio, incluyendo negligencia, o de otro modo relacionado con el mando o nuestro acuerdo, queda por el presente documento invalidada y excluida. Para estos fines, la "condición de no excluyente" incluye cualquier garantía implícita, condición o garantía cuya exclusión infringiría, en caso de los consumidores australianos la Australian Trade Practices Act 1974 ("TPA") o, en caso de los consumidores de Nueva Zelanda, la ("CGA") o en cualquier caso, anularía todo o parte de cualquier exclusión o limitación de responsabilidad o recurso. En caso de cualquier infracción de una condición de no excluyente (diferente a la incluida en la sección 69 de la TPA en Australia), los recursos del comprador son limitados, y a nuestra discreción, nuestra responsabilidad se limita a volver a suministrar, sustituir o reparar el mando (o a la discreción del comprador, a pagar los costes de hacer cualquier otro consumidor en lo referente al establecimiento de venta en el que ha comprado este mando. Las exclusiones, restricciones, términos y condiciones establecidas aquí, no afectan o modifican los derechos que pueda tener bajo la ley que se aplica a sus transacciones con dichos establecimientos de venta o comercios.

#### **Política de responsabilidad de otras garantías/compensaciones**

Si el usuario o parte del mismo se dañan a causa de una modificación, abuso, uso inadecuado, maltrato, descuido o accidente, se considerará nula cualquier garantía y tendrá que seguir las instrucciones pertinentes para devoluciones después del período de garantía.

**EXCEPTO EN LAS GARANTÍAS LIMITADAS EXPRESAS ESTABLECIDAS ANTERIORMENTE Y/O EN LA MEDIDA EN QUE CUALQUIER GARANTÍA PARTICULAR O DERECHO NO SEA EXCLUIDO O LIMITADO POR LAS LEYES O NORMATIVAS DE LA REGIÓN EN LA QUE VIVA, ELECTRONIC ARTS Y SUS LICENCIADORES RECHAZAN POR EL PRESENTE DOCUMENTO CUALQUIER GARANTÍA, TANTO ORAL COMO ESCRITA, EXPRESA O IMPLÍCITA, INCLUIDAS GARANTÍAS DE COMERCIABILIDAD O ADECUACIÓN PARA UN PROPOSITO DETERMINADO. NINGUNA OTRA REPRESENTACIÓN NI GARANTÍA DE NINGUNA NATURALEZA SE APLICARÁ O SERÁ VINCULANTE PARA CON ELECTRONIC ARTS NI SUS LICENCIADORES.**

Si ninguna de estas garantías se puede excluir por las leyes particulares que se aplican en su caso, entonces las garantías aplicables a este mando se limitan al período de garantía descrito anteriormente que se aplica a usted. En ningún caso Electronic Arts o sus licenciadore será responsable de los daños especiales, por incidencia o consecuencia de la posesión, uso o mal funcionamiento del juego, incluyendo, sin limitarse a, cualquier mando, software del juego o cualquier otra parte del juego, incluido el daño a la propiedad, hasta los límites que permite la ley, daños por lesión personal, incluso si Electronic Arts o sus licenciadore conocen la posibilidad de dichos daños.

**ALGUNAS LEGISLACIONES NO PERMITEN LIMITACIÓN EN LA DURACIÓN DE LAS GARANTÍAS IMPLÍCITAS, POR ELLO, LAS LIMITACIONES ANTERIORES PUEDEN NO APLICARSE EN SU CASO. EN TODAS Y CADA UNA DE LAS JURISDICCIONES, LA RESPONSABILIDAD DE ELECTRONIC ARTS Y SUS LICENCIADORES SERÁ LIMITADA, Y LAS EXCLUSIONES SE INTERPRETARÁN PARA APLICARSE DENTRO DE LOS LÍMITES PERMITIDOS POR LA LEY.**

**Declaración de conformidad de la UE:** Tal y como se exige, algunos de estos mandos han sido probados y cumplen los requisitos de las Directivas de la Unión Europea 1999/5/EC y 2004/108/EC. El signatario autorizado del fabricante es Harmonix Music Systems, Inc., 625 Massachusetts Ave. Cambridge, Massachusetts 02139

**Estados Unidos y Canadá:** Tal y como se exige, algunos de estos dispositivos digitales de clase B (los mandos) han sido probados en Harmonix Music Systems, Inc., 625 Massachusetts Ave., Cambridge, Massachusetts 02139, 1-617-491-6144, y cumplen con la sección 15 de las normas de la FCC y la RSS-210 de Canadá, que establecen los límites que aseguran una protección razonable frente a las interferencias perjudiciales en una instalación doméstica. Este dispositivo utiliza, genera y puede emitir energía por frecuencia de radio, y si no se monta, instala y se utiliza como indican las instrucciones, puede causar interferencias perjudiciales a comunicaciones por radio. No se garantiza que las interferencias no se produzcan en una ubicación o con una utilización determinada. El funcionamiento depende de las siguientes dos condiciones: (1) Este dispositivo no tiene por qué causar interferencias perjudiciales, y (2) Este dispositivo debería soportar cualquier interferencia recibida, incluidas las interferencias que pueden causar fallos de funcionamiento.

#### **Exposición a la emisión de frecuencias de radio:**

La potencia de salida emitida por el mando se encuentra dentro de los límites de frecuencia de radio de la FCC para este tipo de dispositivo, si no se modifica y se utiliza tan y como se indica en las instrucciones y el mando se maneja según las indicaciones de los estándares de seguridad de frecuencia de radio, que reflejan el acuerdo en la comunidad científica, y por lo tanto el fabricante confía en que la radio inalámbrica interna del dispositivo es completamente inofensiva para el usuario. El nivel de energía emitida es muy inferior a la energía electromagnética por dispositivos inalámbricos como teléfonos móviles. Sin embargo, el uso de radios inalámbricas estará restringido en determinadas situaciones (como en aviones, por ejemplo). Si no está seguro de las restricciones que se aplican en tu caso, tendrás que solicitar permiso antes de encender, conectar o utilizar el mando.

#### **Información importante sobre las pilas para mandos inalámbricos:**

- Utilice solo pilas alcalinas normales AA nuevas.
- Sustituya todas las pilas usadas a la vez por otras pilas del mismo tipo.
- Asegúrese de que sustituye las pilas correctamente siguiendo los signos + y - tal y como indica el manual de instrucciones y el compartimiento para pilas del mando. Nunca inserte las pilas al revés.
- Si sabe que no va a utilizar el mando durante un periodo largo de tiempo, le recomendamos que extraiga las pilas.
- Si utiliza pilas recargables permitidas, utilícelas y recárguelas bajo supervisión de un adulto y siguiendo siempre las instrucciones del fabricante.
- Nunca intente recargar pilas no recargables.
- Antes de cargar las pilas recargables, extraígalas del mando.
- No mezcle pilas alcalinas con pilas normales (de zinc-carbono).
- No mezcle diferentes tipos de pilas o entre viejas y nuevas.
- Extraiga las baterías agotadas del mando.
- Los terminales suministrados no deben experimentar un cortocircuito.

**Almacenar y deshacerse de pilas y materiales eléctricos y electrónicos adecuadamente:**

- Las pilas pueden explotar o tener pérdidas y provocar quemaduras si se recargan, si se tiran al fuego, si se mezclan con pilas de otro tipo, si se introducen al revés o si se desmontan.
- Nunca almacene ni eche pilas al fuego o a un lugar en llamas.
- No lleve pilas en el bolso o bolsillos.
- No extraiga la etiqueta de las pilas.



Consulte las normativas locales, y póngase en contacto con las autoridades locales o busque en las direcciones del directorio de gobierno local si existe un lugar especial para la recogida de pilas o si hay alguna instrucción o requisito especial en su lugar de residencia. En el caso de las pilas recargables u otro tipo de pilas, el fabricante debería proporcionar instrucciones precisas sobre cómo deshacerse de ellas, y usted debería siempre leerlas y seguir las instrucciones del fabricante para evitar lesiones y daños y para cumplir con la ley y las normativas de protección de la salud, la seguridad y el medio ambiente.

Se han realizado estudios que plantean dudas sobre los potenciales efectos para la salud de las personas de los equipos eléctricos y electrónicos, y sobre las sustancias peligrosas que pueden contener. Consulte siempre con sus profesionales sanitarios de confianza acerca de las medidas de seguridad que debe tomar al utilizar los mandos, pilas u otras partes del juego.

- Los consumidores deben tomar parte activa en el reciclaje. El símbolo de un cubo de basura con una marca que lo atraviesa que indica que no debe tirar estos materiales eléctricos y electrónicos, como pilas, a la basura normal. Debe reciclarlos por separado y de forma adecuada.
- Si no está seguro de cómo deshacerse correctamente o reciclar estos objetos, puede ponerse en contacto con Electronic Arts en <http://www.rockband.com/warranty> o póngase en contacto con funcionarios administrativos locales para obtener información relacionada en tu zona.

© 2009 Harmonix Music Systems, Inc. Todos los derechos reservados The Beatles: Rock Band ha sido desarrollado por Harmonix Music Systems, Inc. Harmonix, Rock Band y todos los títulos y logotipos relacionados son marcas comerciales de Harmonix Music Systems, Inc., una compañía de MTV Networks. MTV: Music Television, MTV Games y todos los títulos y logotipos relacionados son marcas registradas de MTV Networks, una división de Viacom International Inc. The Beatles y todos los títulos y logotipos asociados, son marcas comerciales de Apple Corps Ltd. EA y el logotipo de EA son marcas comerciales o marcas comerciales registradas de Electronic Arts Inc. en los EE.UU. y en otros países. "Hofner" y el diseño del bajo Hofner son marcas comerciales de KARL HÖFNER GmbH & Co. KG, Alemania. LUDWIG® es una marca registrada de Conn-Selmer, Inc. y se usa bajo licencia. Todos los derechos reservados. El resto de marcas son propiedad de sus respectivos dueños.

Trademarks are property of their respective owners. Wii is a trademark of Nintendo.

Este producto y su utilización pueden estar protegidos por la patente en EE.UU. número 7.320.643 y la aplicación de cualquier otra patente quedará pendiente.

Mandos fabricados por:  
Harmonix Music Systems Inc.  
625 Massachusetts Avenue  
Cambridge, MA 02139  
United States of America

Mandos importados por:  
(Norteamérica)  
Electronic Arts Inc.  
209 Redwood Shores Parkway  
Redwood City, California 94065  
United States of America

(en otros territorios)  
EA Swiss Sàrl  
Place du Molard 8  
1204 Geneva  
Switzerland